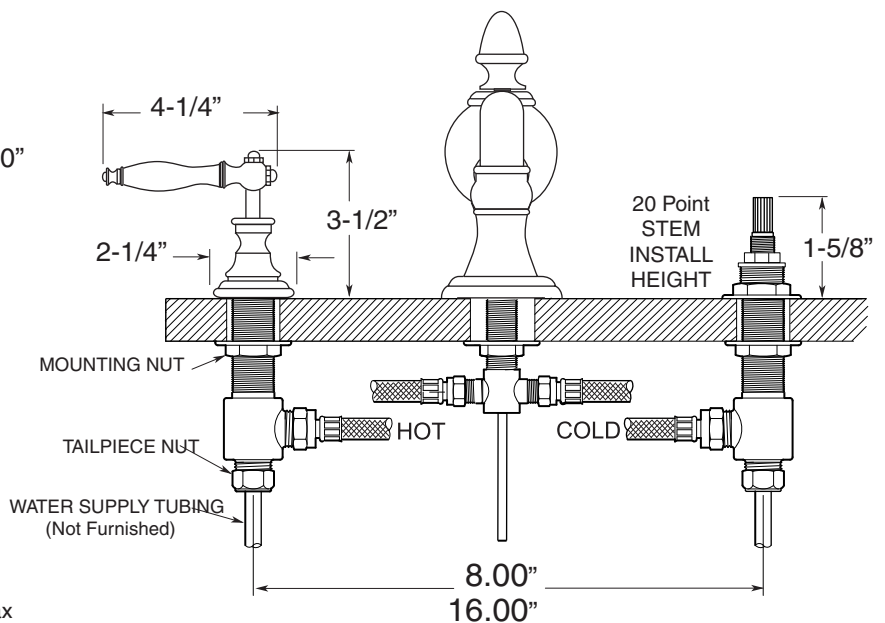
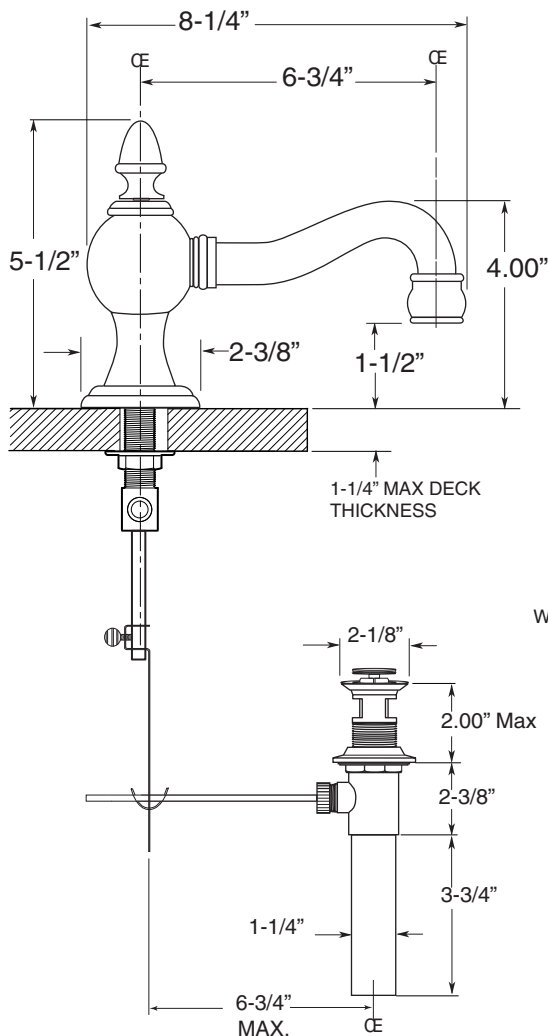


FEATURES:

- All brass construction. Flexible hoses designed to be installed on 8" to 16" centers.
- Includes pop-up style drain assembly P/N 18.11.041
- 1/4-turn ceramic disc valve cartridge.
- Standard aerator is limited to 1.5 gpm.
- Available in all finishes. Warranty varies according to finish selection.
- Certified to meet and exceed the following codes and standards:
ASME A112.18.1/CSA B125.1-2011



NOTE: Spout and valves install through 1-1/4" Diameter Holes

Note: Measurements are subject to change or cancellation. No responsibility is assumed for use of superseded or voided pages.