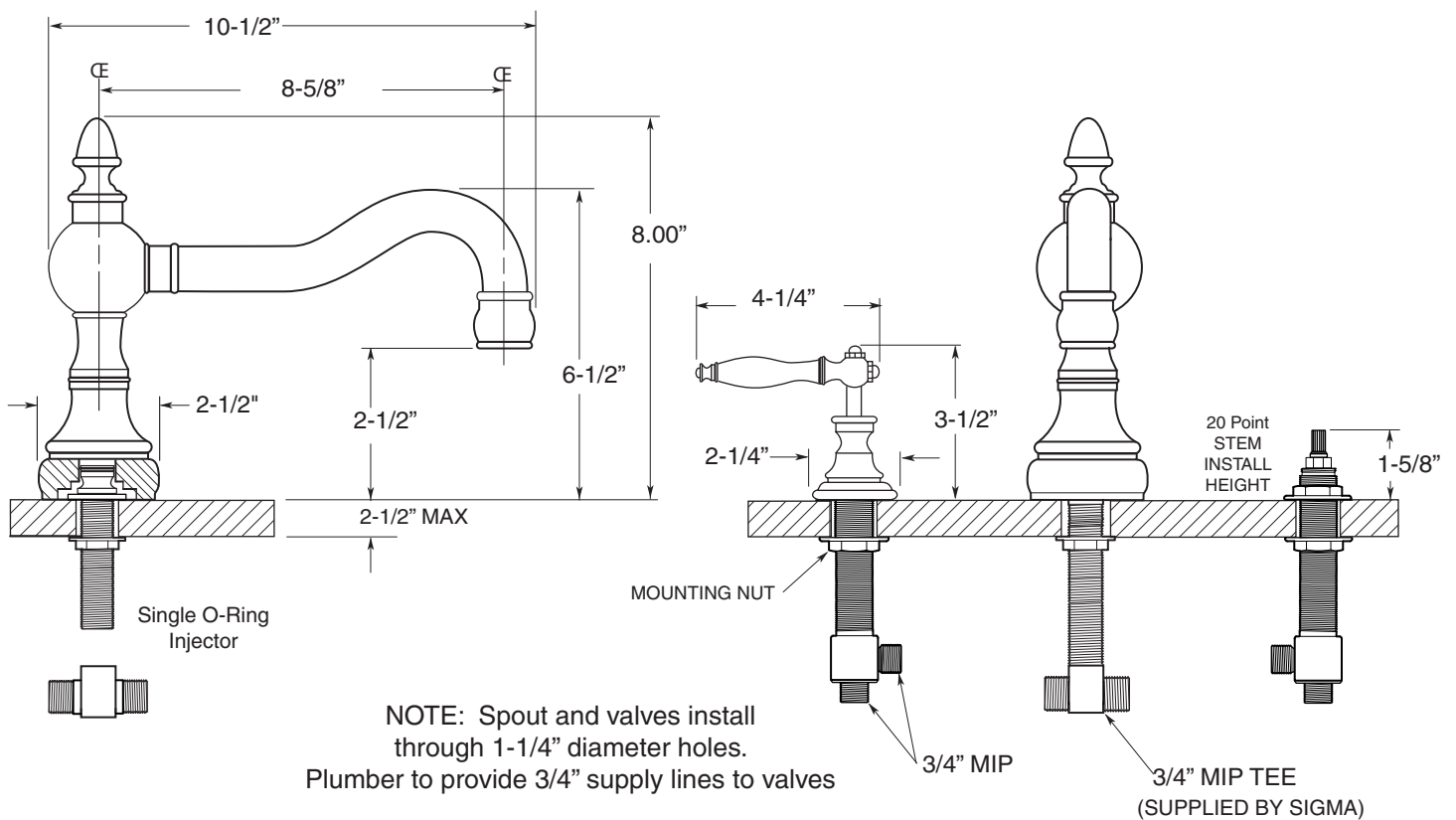


FEATURES:

- All brass construction.
- 3/4" valve bodies with 1/4-turn ceramic disc cartridge
- 18.30.011 - HOT cartridge | 18.30.010 COLD cartridge
- Available in all finishes. Warranty varies according to finish selection.

7.5602677

(7.5602677T - Trim Only)



Note: Measurements are subject to change or cancellation. No responsibility is assumed for use of superseded or voided pages.