

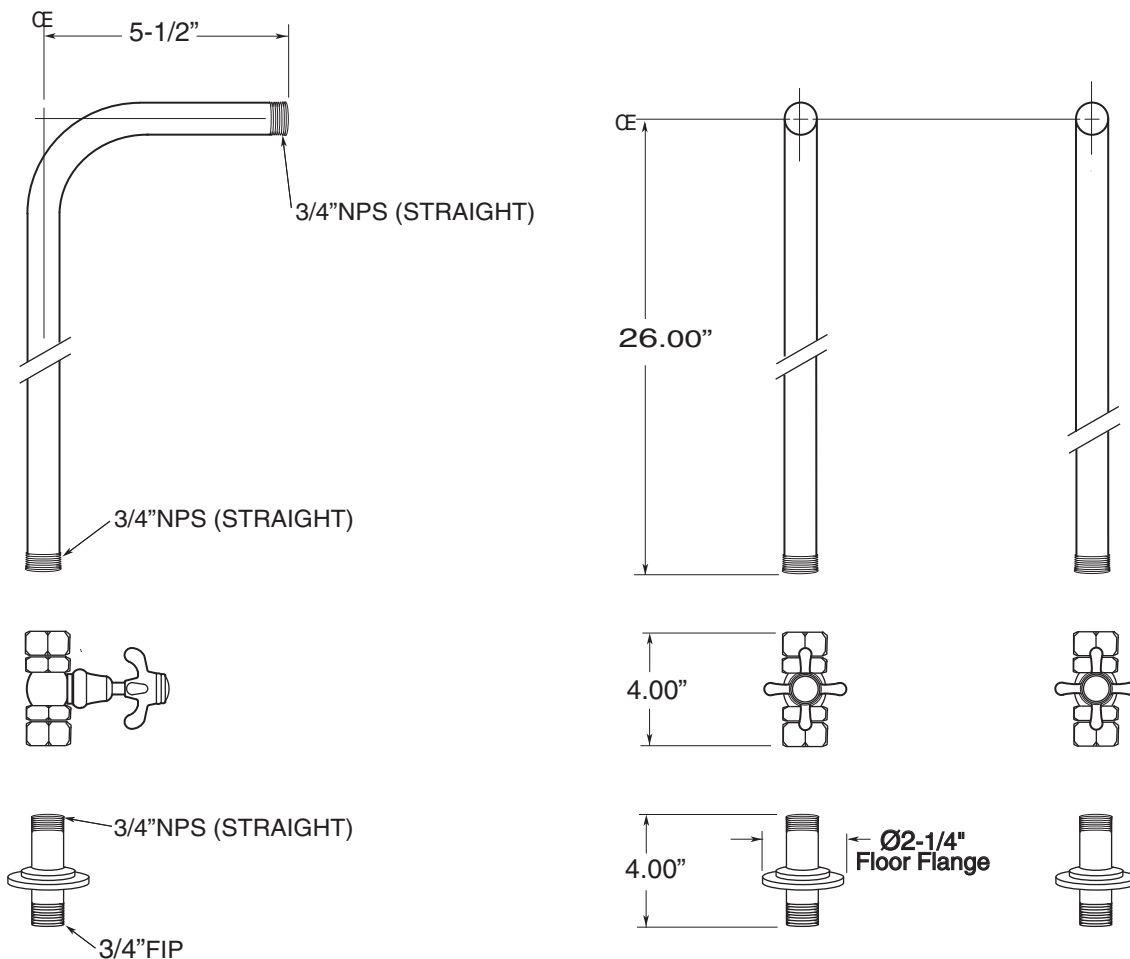
FEATURES:

- All brass construction
- 1/4 turn ceramic disc cartridge shut-offs.
- Replacement cartridge 18.30.030 - hot
- Floor flange has o’ring seal around riser to ensure tight fit.
- Available in all finishes. Warranty varies according to finish selection.
- Meets: ASME A112.80.0-2005/CSAB125.1-2005

Reserve Collection

Risers and Shut-Off Kit for use
with Telephone Handshower Set
(481) Drop Cross Handle

7.78481246



Note: Measurements are subject to change or cancellation. No responsibility is assumed for use of superseded or voided pages.