



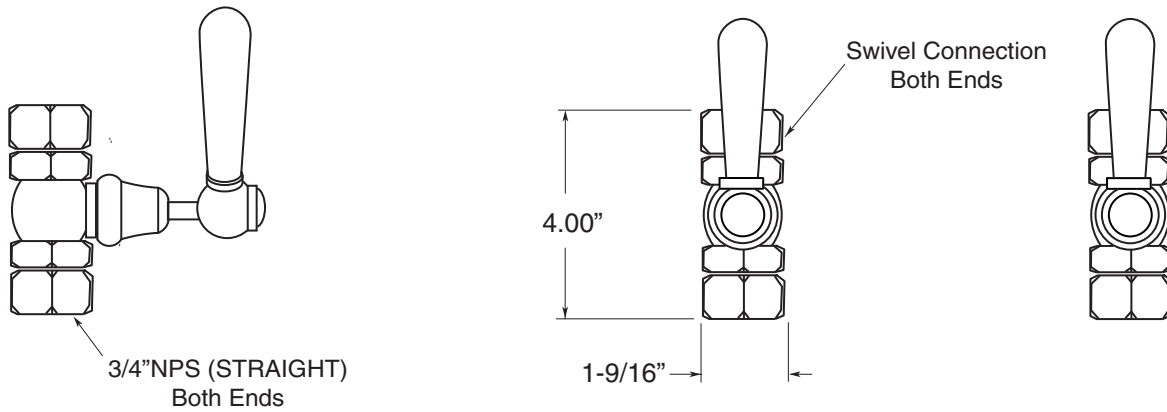
**FEATURES:**

- All brass construction.
- 1/4 turn ceramic disc cartridge P/N: 18.30.430.
- Swivel connection nuts.
- Available in all finishes. Warranty varies according to finish selection.
- Meets: ASME A112.18.1-2005/CSAB125.1-2005

**TechData**  
SPECIFICATIONS  
*Reserve*  
*Collection*

(2) Shut-Offs For Telephone  
Handshower  
(484) Straight Lever

7.78484256



Note: Measurements are subject to change or cancellation. No responsibility is assumed for use of superseded or voided pages.