



# TechData

## SPECIFICATIONS

# Reserve

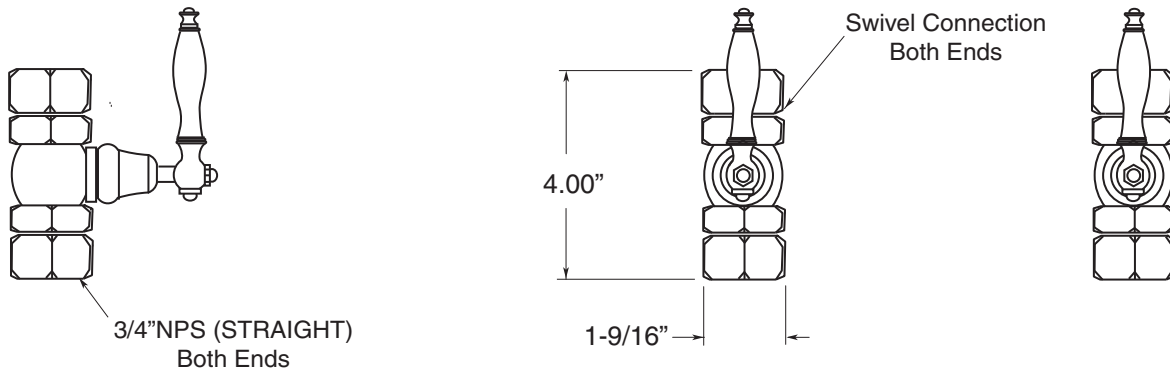
# Collection

### FEATURES:

- All brass construction.
- 1/4 turn ceramic disc cartridge P/N: 18.30.430.
- Swivel connection nuts.
- Available in all finishes. Warranty varies according to finish selection.

(2) Shut-Offs For Telephone  
Handshower  
(486) Finial Lever

7.78486256



Note: Measurements are subject to change or cancellation. No responsibility is assumed for use of superseded or voided pages.