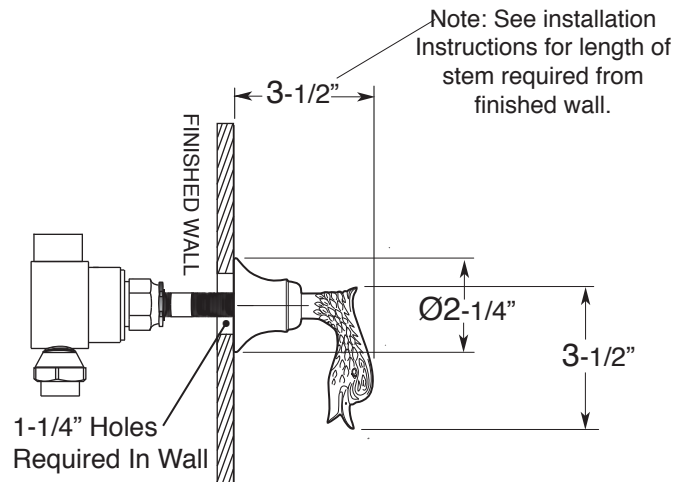
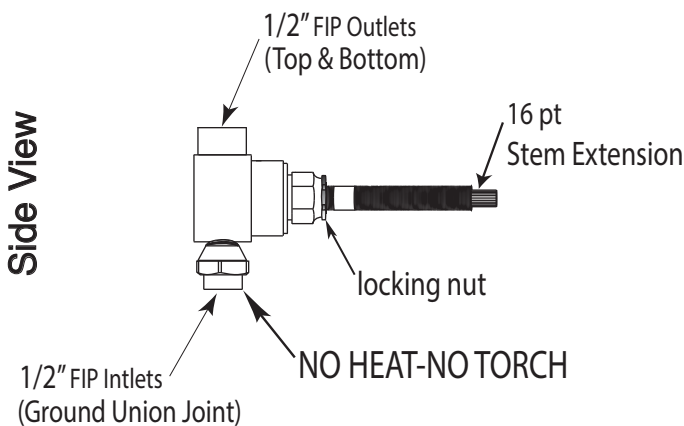
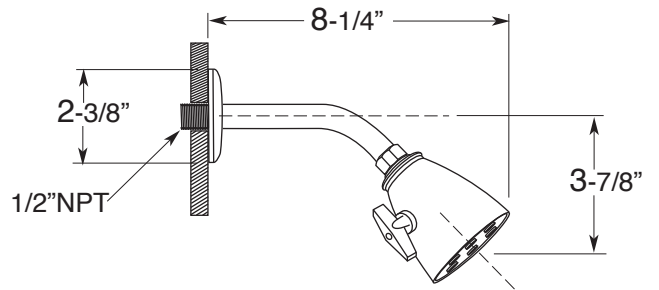
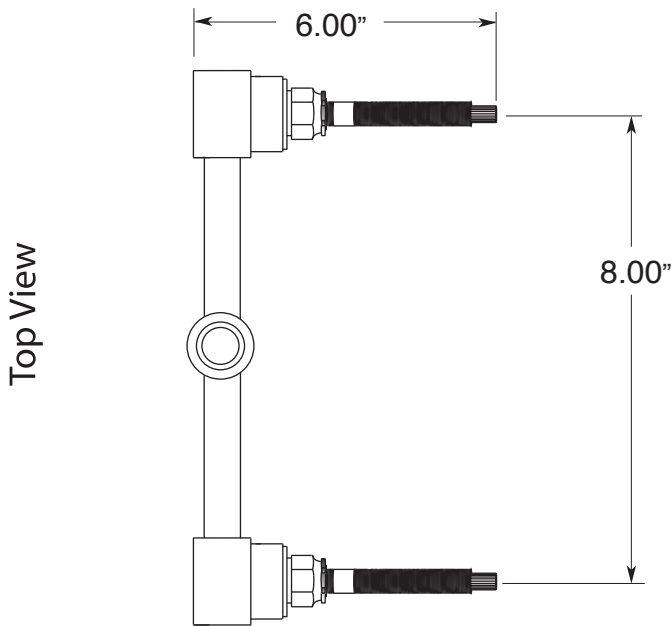


Features:

- Forged brass construction
- 8" Center to Center valve (18.30.008)
- 10" Center to Center valve available on request (18.30.141)
- Includes 6 Plunger Deluxe Showerhead (18.10.024)
- Replacement ceramic disc cartridges:
COLD 18.30.035 / HOT 18.30.036

2 Valve Shower Set
8" Spread
1.003742D
Windsor Elite Handle
(1.003742DT Trim Only)

DISCONTINUED



Note: Measurements are subject to change or cancellation. No responsibility is assumed for use of superseded or voided pages.