

**FEATURES:**

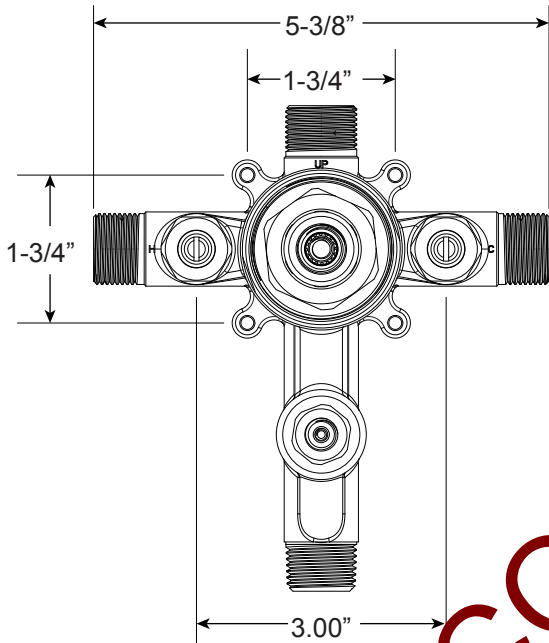
- Solid brass construction
- Valve cartridge: 18.30.893
- Diverter assembly: 18.30.894
- Screwdriver stop: 18.30.895
- Adjustable hot limit safety stop
- Reversible cartridge
- 5.0 GPM @ 60 PSI

**Series 1300**  
*Pressure Balance Shower Set*

1.003764  
(1.003764T - Trim Only)

**Windsor Elite Handle**

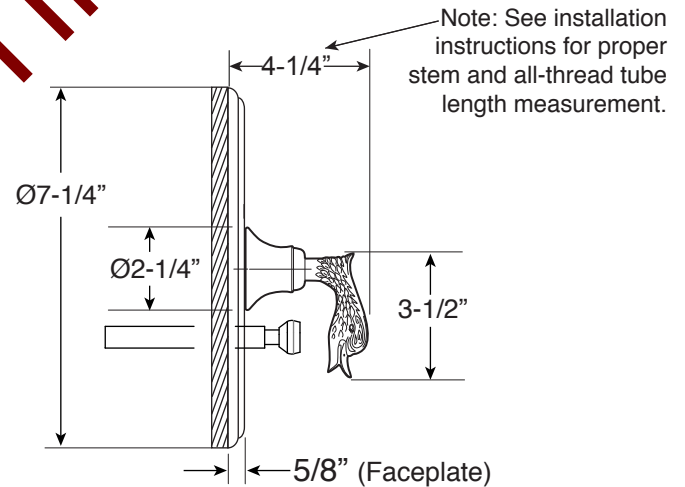
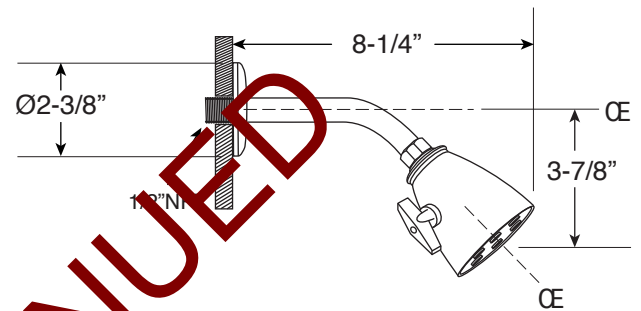
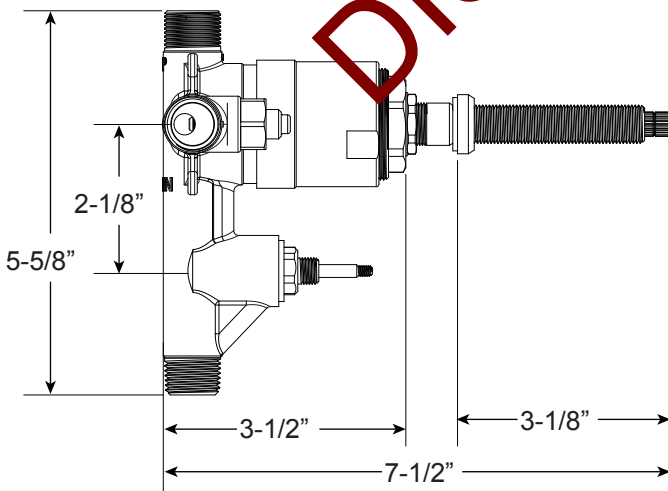
**16 pt.**



**FRONT VIEW**

Note: Stem and all-thread tube will be sent with handle trim.

**SIDE VIEW**



1/2" NPT



1/2" NPT



Current valve in use:  
Circa 4/2014 - present  
Contact Customer Service  
for Older Versions

For additional information on  
cartridges or extension kits,  
see 'Rough Valving' section  
in current catalog.

Note: Measurements are subject to change. No responsibility is assumed for use of superseded or voided pages.