

**FEATURES:**

- Cast brass construction.
- Thermostatic valve cartridge with cover plate: 18.30.147
- Thermostatic reverse cartridge with cover plate: 18.30.161
- 14.28 GPM @ 56 PSI top exit & 11.10 GPM bottom exit

NOTE: Separate shut offs required to operate system.

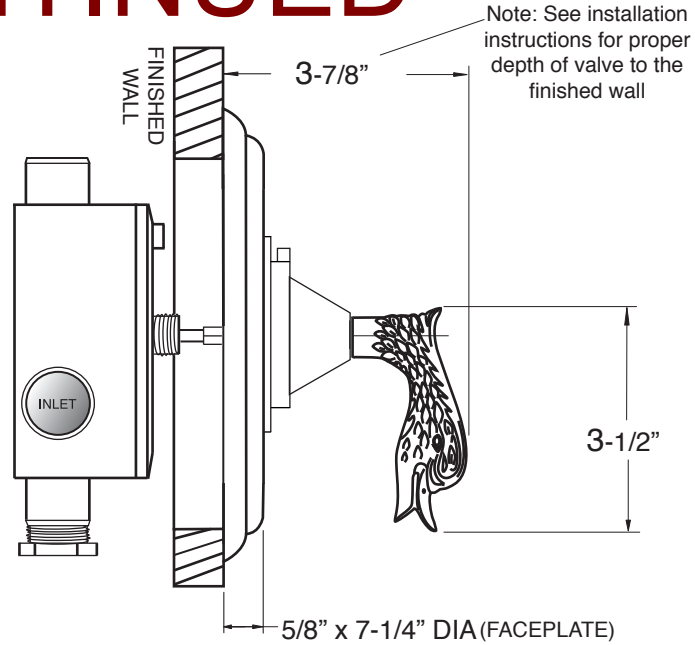
**3/4" Thermostatic**

**Valve & Trim  
Windsor Elite Handle**

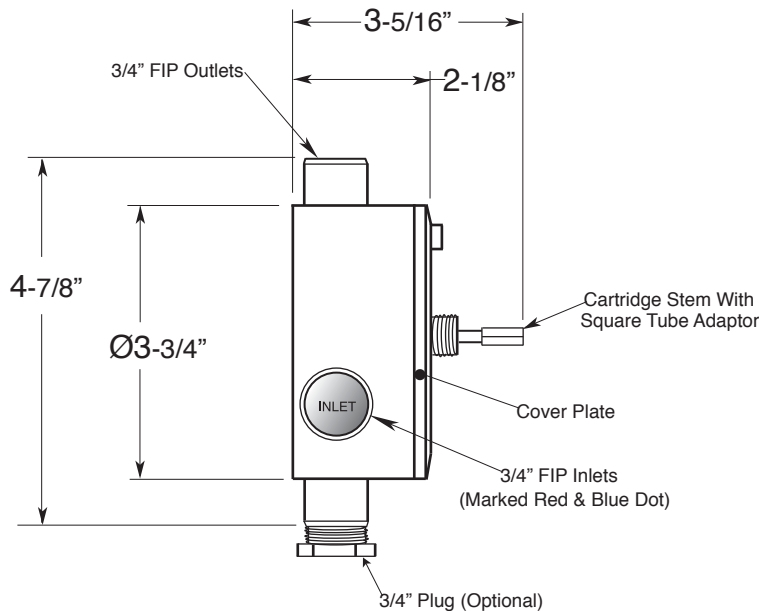
1.003797  
(1.003797T Trim Only)

# DISCONTINUED

SIDE VIEW - INSTALLED



SIDE VIEW - VALVE ONLY



Note: Measurements are subject to change or cancellation. No responsibility is assumed for use of superseded or voided pages.