

FEATURES:

- Cast brass construction
- Thermostatic valve cartridge with cover plate: 18.30.147
- Thermostatic reverse cartridge with cover plate: 18.30.161
- 14.28 GPM @ 56 PSI top exit & 11.10 GPM bottom exit

3/4" Thermostatic with Integral Stops

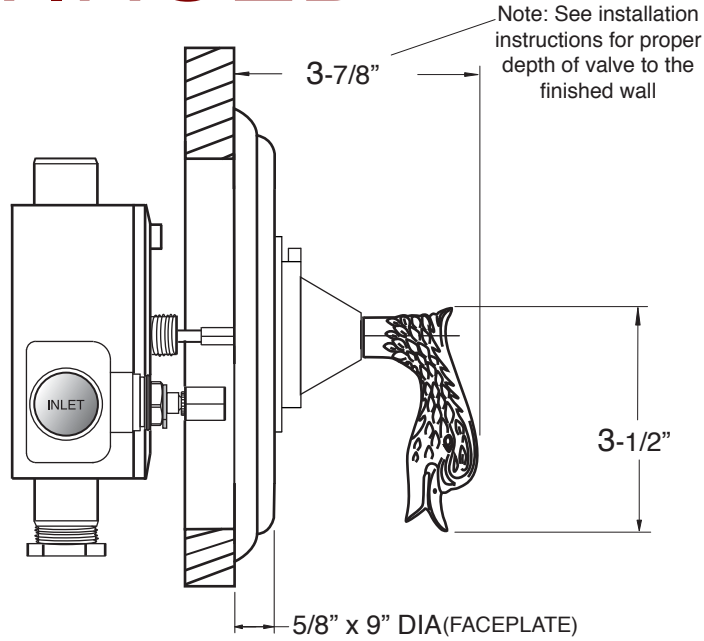
Valve & Trim Windsor Elite Handle

NOTE: Separate shut offs required to operate system.

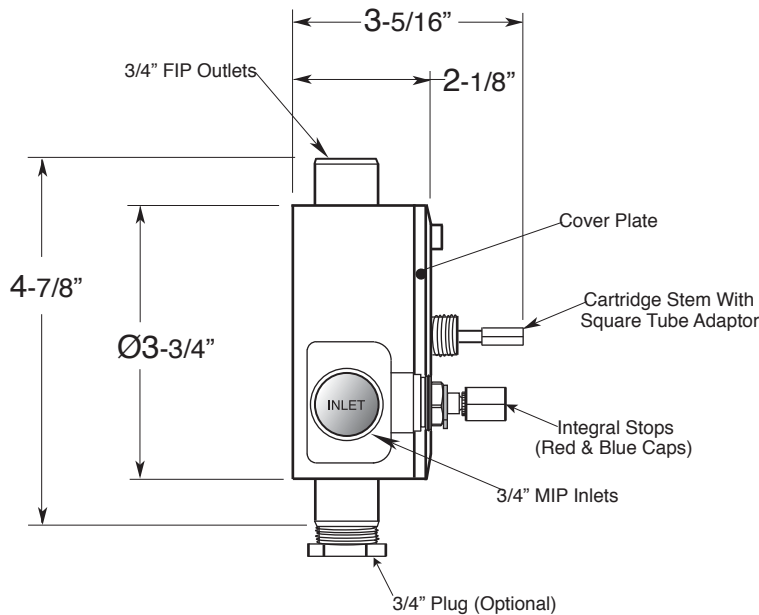
1.003797D
(1.003797DT Trim Only)

DISCONTINUED

SIDE VIEW - INSTALLED



SIDE VIEW - VALVE ONLY



Note: Measurements are subject to change or cancellation. No responsibility is assumed for use of superseded or voided pages.