

FEATURES:

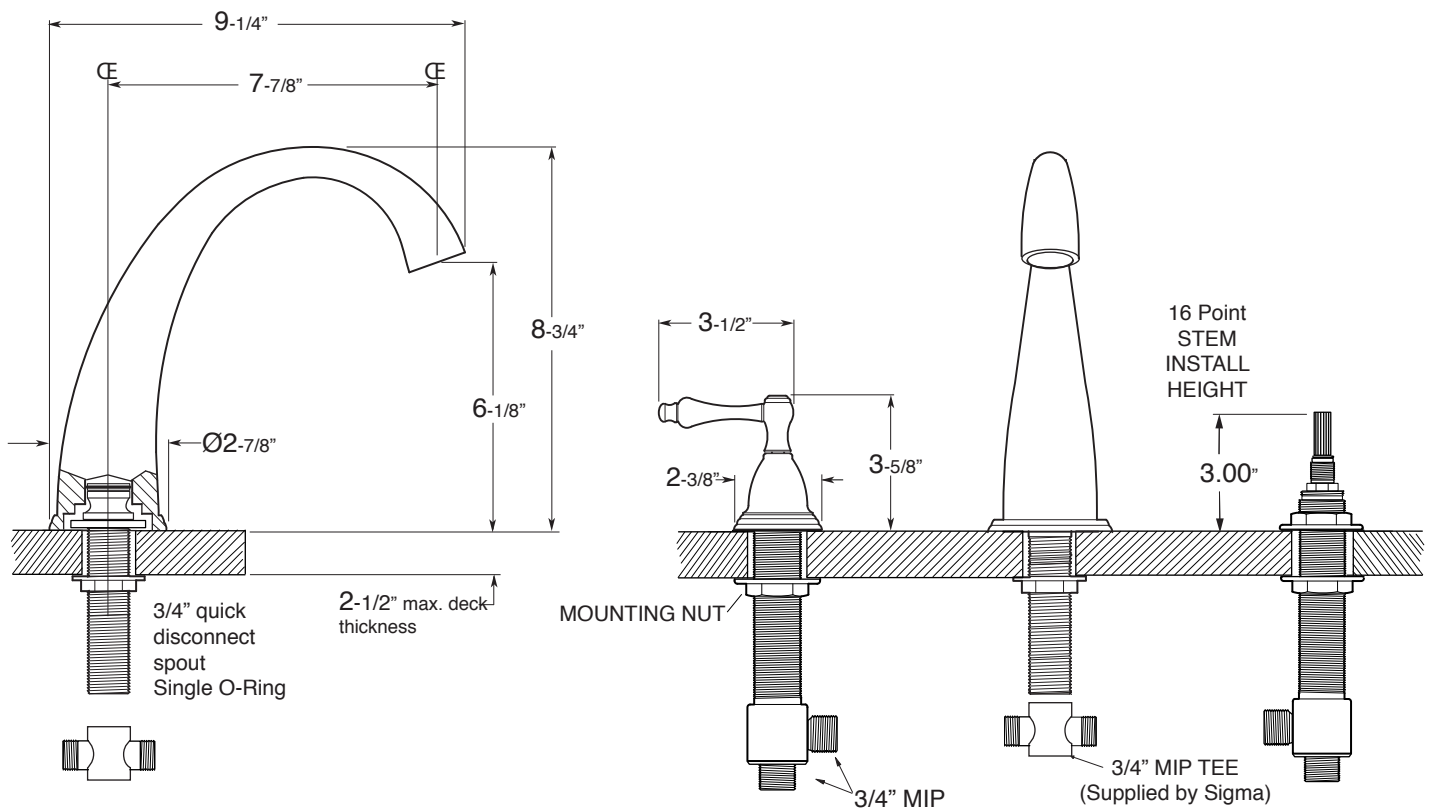
- All brass construction.
- 3/4" valve bodies with 1/4 turn ceramic cartridge.
- Available in 5 designated Sigma finishes.
- Certified to meet and exceed the following codes and standards:
ASME A112.18.1-2005/CSAB 125.1-2005

ENCORE

Series 01 MONTREAL

Roman Tub Set

ES.011777



NOTE: Spout and valves install through 1-1/4" diameter holes.
Plumber to provide 3/4" supply lines to valves