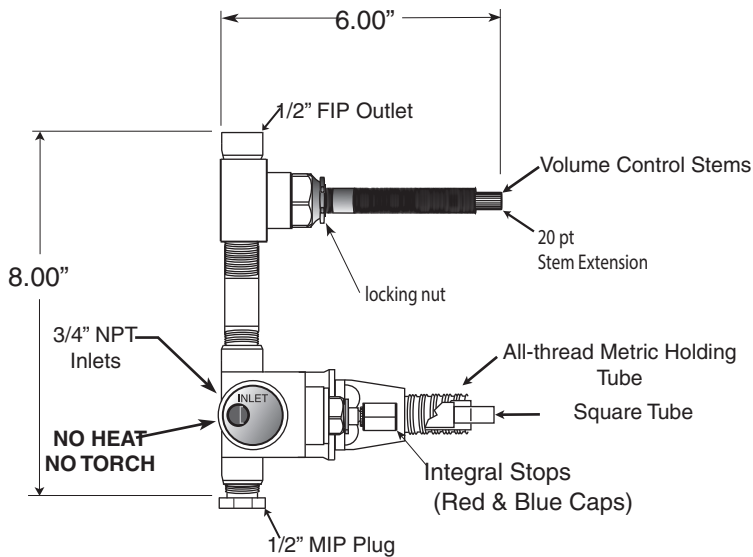
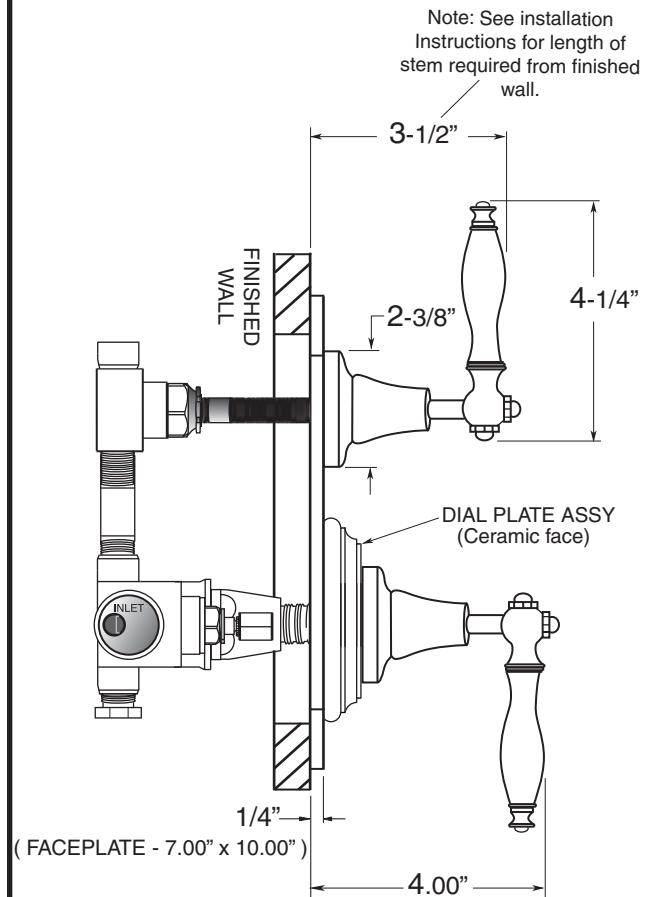


FEATURES:

- All brass construction.
- Available in all finishes. Warranty varies according to finish selection.
- Thermostatic valve cartridge: 18.30.082
- Shut-off cartridge: 18.30.036
- Screw driver spring check valve: (2) 18.30.181
- 5.0 GPM @ 45PSI
- Meets: ASME A112.18.1-2005/CSAB125.1-2005



SIDE VIEW - VALVE ONLY



SIDE VIEW - INSTALLED