

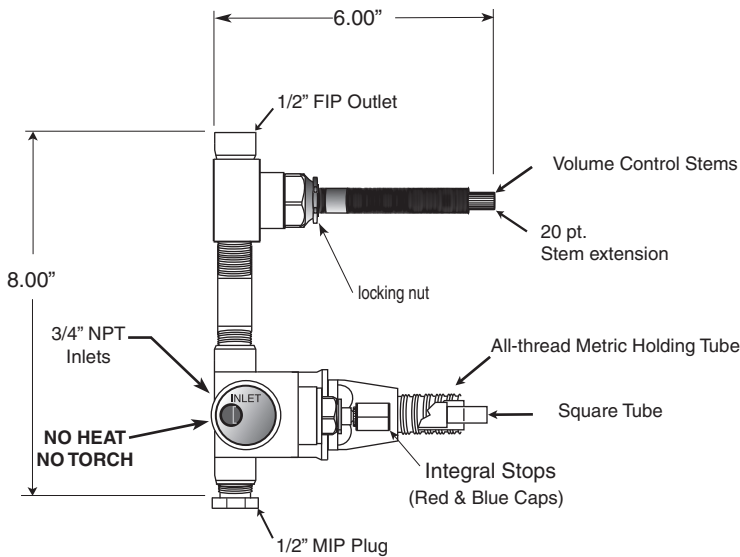
FEATURES:

- All brass construction.
- Available in all finishes. Warranty varies according to finish selection.
- Thermostatic valve cartridge: 18.30.082
- Shut-off cartridge: 18.30.036
- Screw driver spring check valve: (2) 18.30.181
- 5.0 GPM @ 45PSI
- Meets: ASME A112.18.1/CSA B125.1-2011

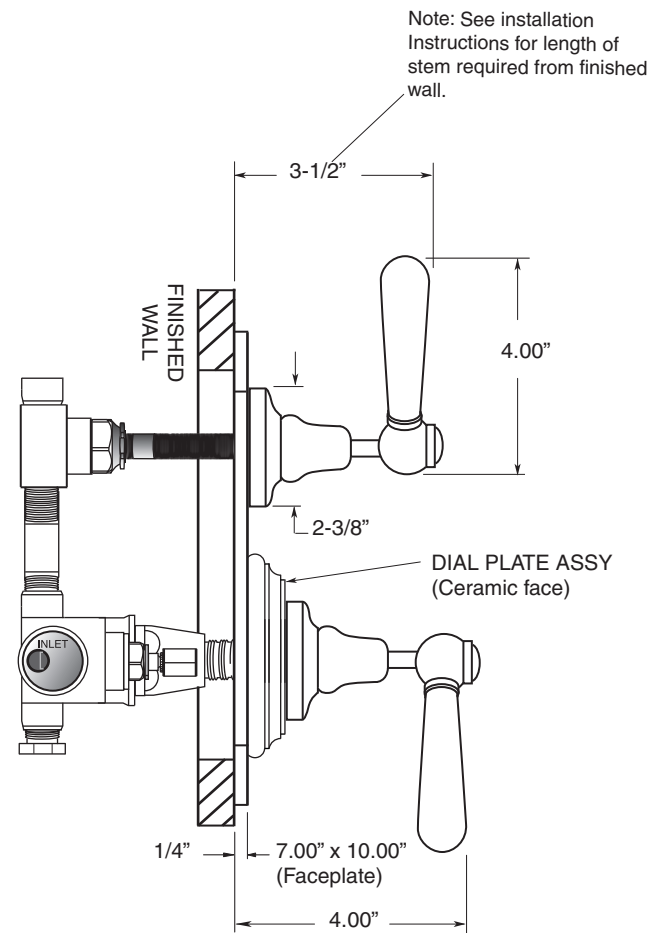
TechData
SPECIFICATIONS
Rutherford

1/2" Imperial Thermostatic
and One Volume Control
7.0248496V
Straight Lever

(7.0248496VT Trim Only)



SIDE VIEW - VALVE ONLY



SIDE VIEW - INSTALLED

Note: Measurements are subject to change or cancellation. No responsibility is assumed for use of superseded or voided pages.