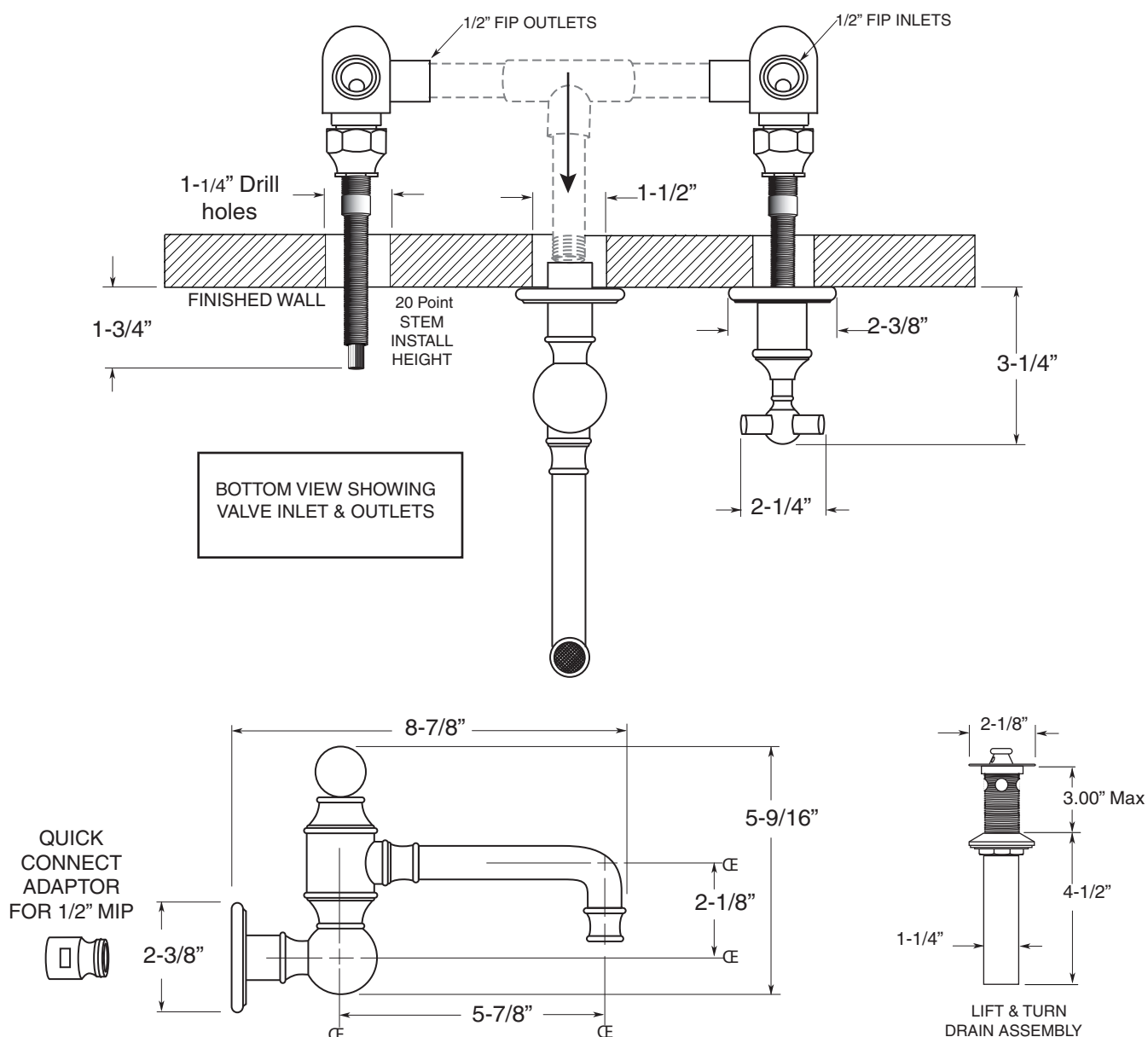


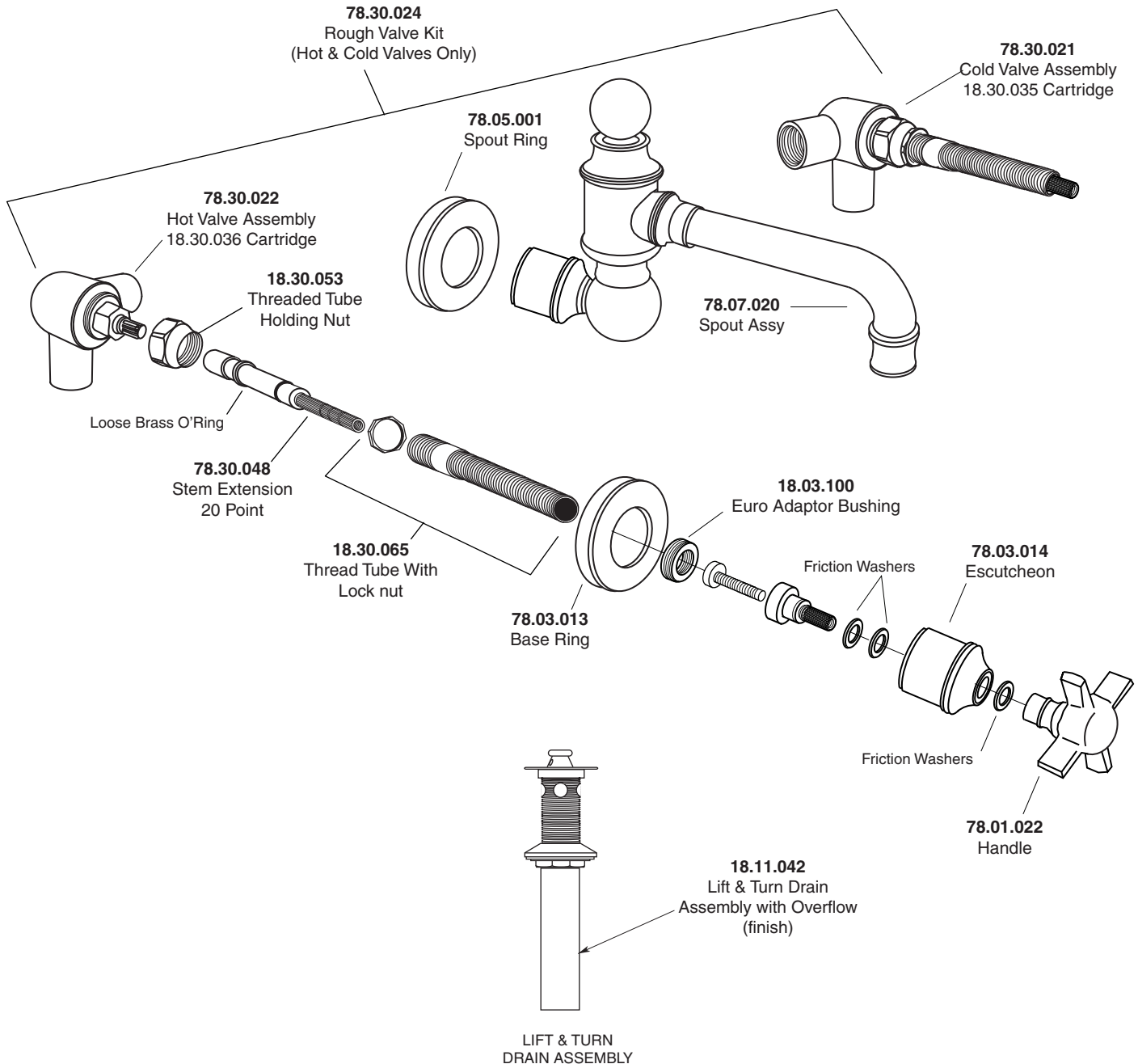
FEATURES:

- All brass construction
- Independent corner valves
- Includes lift & turn drain with overflow. P/N 18.11.042
- Quick connect spout with concealed aerator uses special removal key.
- Standard aerator is limited to 1.5 gpm
- 1/4-turn ceramic disc valve cartridge.
- Available in all finishes. Warranty varies according to finish selection.
- Certified to meet and exceed the following codes and standards:
ASME A112.18.1/CSA B125.1-2011

Vessel Lavatory Set
(157) Cross Handle
7.5815707
(7.5815707T - Trim only)



Note: Measurements are subject to change or cancellation. No responsibility is assumed for use of superseded or voided pages.



Note: Measurements are subject to change or cancellation. No responsibility is assumed for use of superseded or voided pages.