

SPECIFICATIONS

Lira

Pressure Balance Tub & Shower

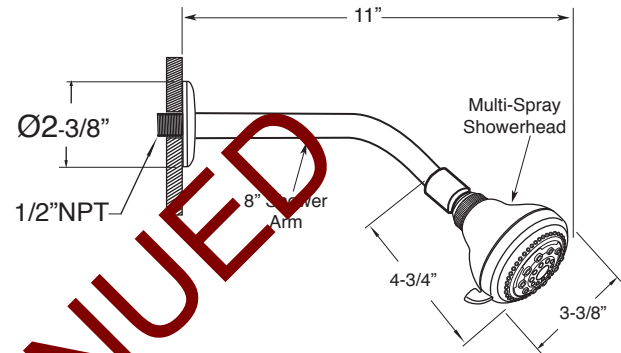
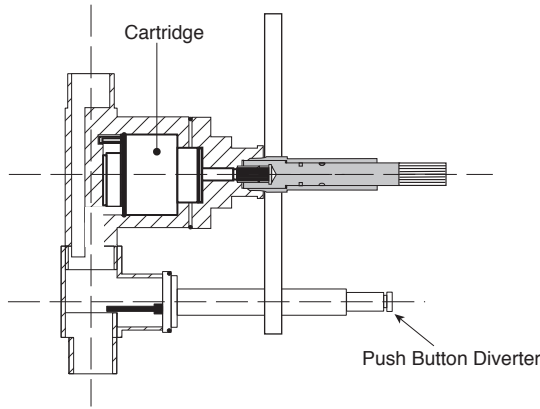
1.518268

(1.518268T - Trim Only)

Features:

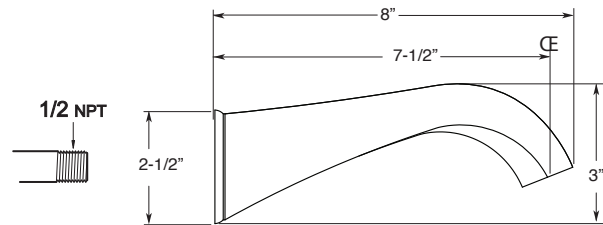
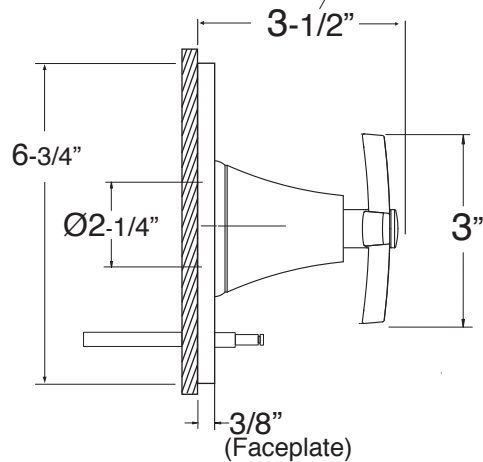
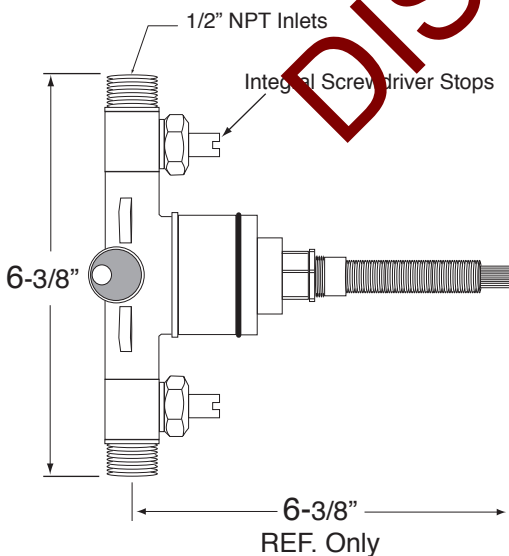
- Forged brass construction
- Ceramic disk valve cartridge 18.30.865
- Adjustable hot limit safety stop
- Reversible cartridge

Cutaway View



Note: See installation Instructions for length of stem required from finished wall.

Top View



WALL SPOUT
P/N 18.17.029

Note: Measurements are subject to change or cancellation. No responsibility is assumed for use of superseded or voided pages.