

Features:

- Forged brass construction
- Ceramic disk valve cartridge 18.30.865
- Adjustable hot limit safety stop
- Reversible cartridge
- 5.6 GPM @ 45 PSI

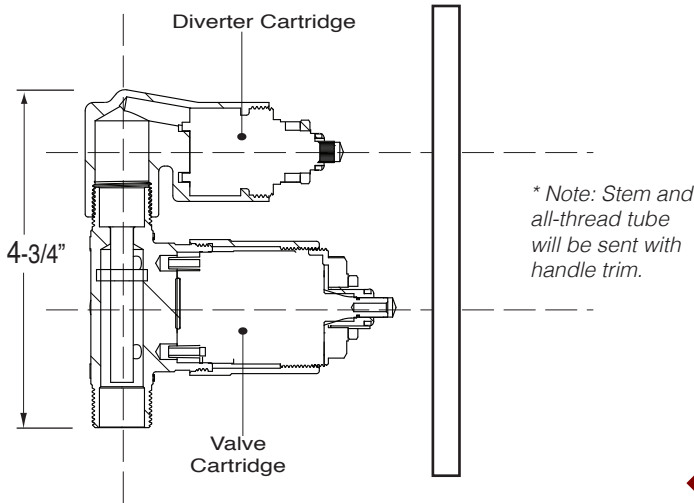
Specifications

Series 2500/2800

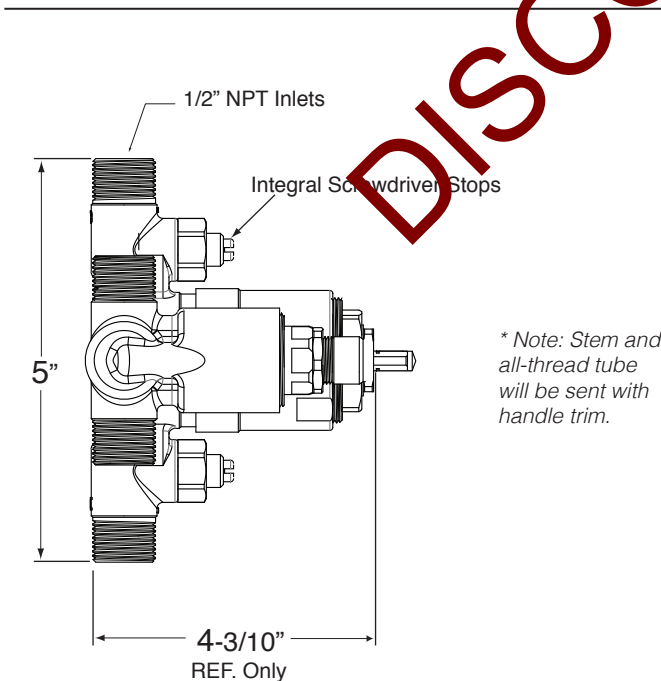
Pressure Balanced Tub & Shower

**Regent Handle
1.255468**

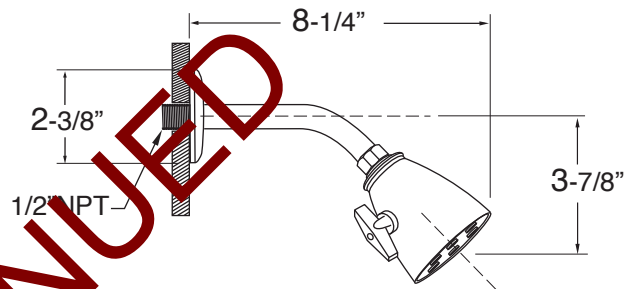
Cutaway View



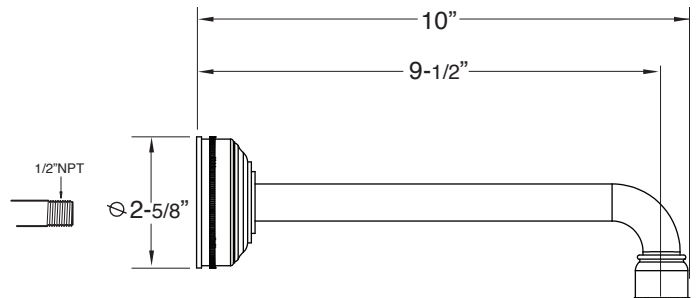
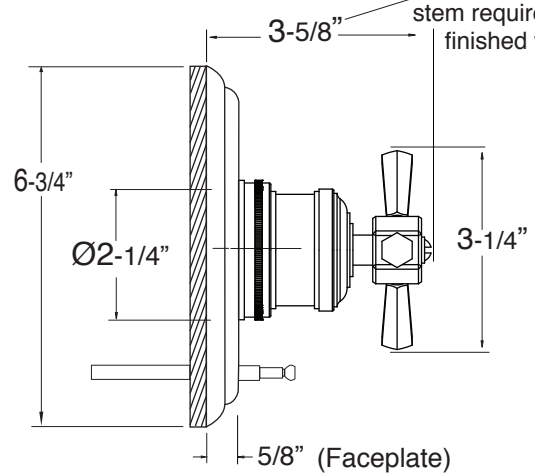
Top View



(1.255468T - Trim Only)



Note: See installation Instructions for length of stem required from finished wall.



Note: Measurements are subject to change or cancellation. No responsibility is assumed for use of superseded or voided pages.