

SPECIFICATIONS

Series 3400

Pressure Balance Tub & Shower

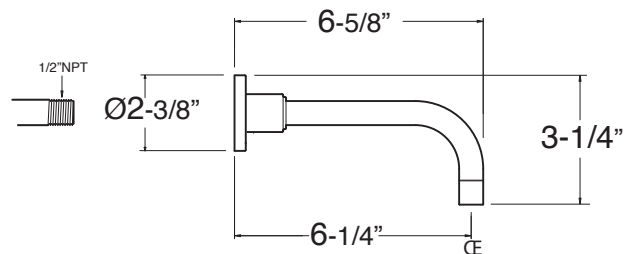
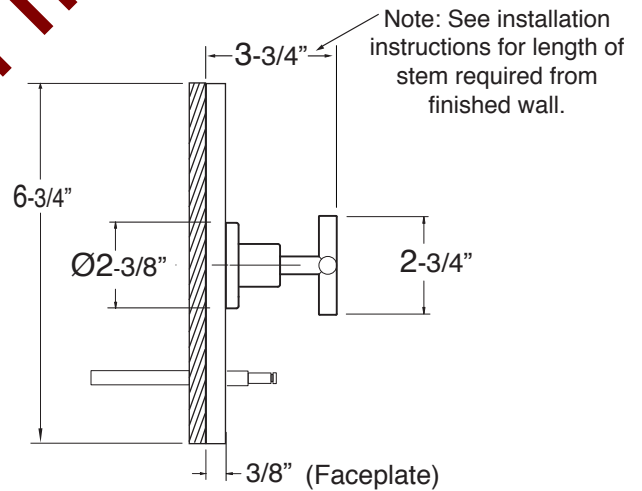
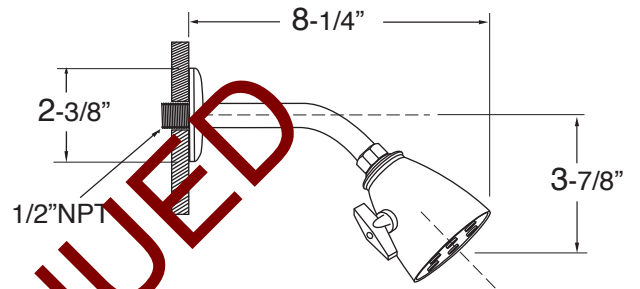
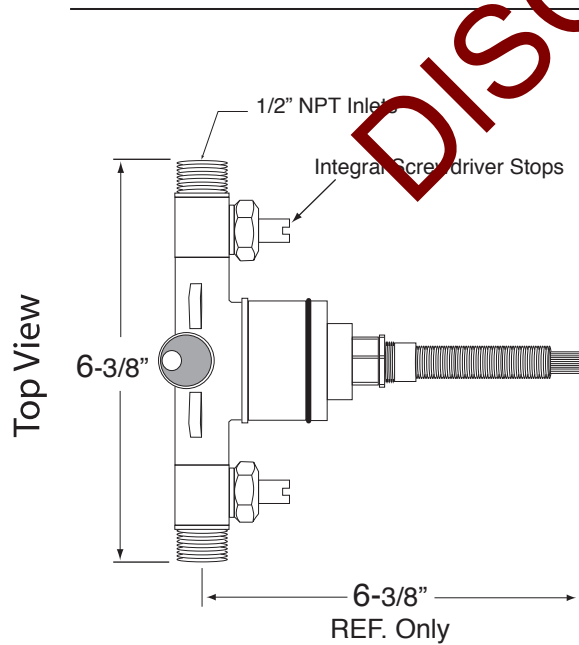
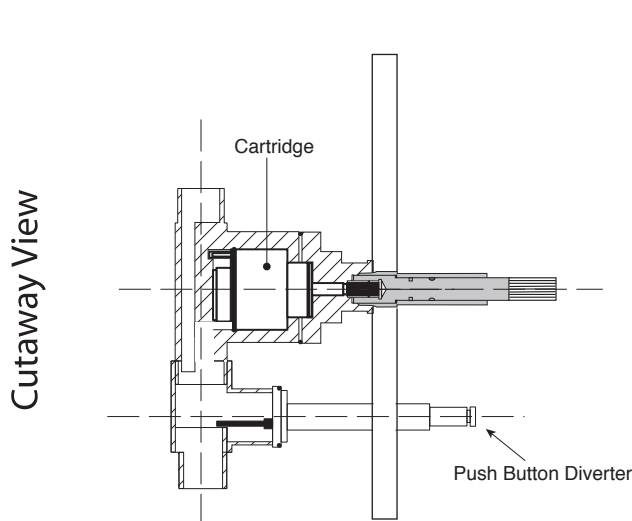
1.344868

Nova II Handle

(1.344868T - Trim Only)

Features:

- Forged brass construction
- Ceramic disk valve cartridge 18.30.865
- Adjustable hot limit safety stop
- Reversible cartridge
- 5.6 GPM @ 45 PSI



Note: Measurements are subject to change or cancellation. No responsibility is assumed for use of superseded or voided pages.