

FEATURES:

- All brass construction.
- 3/4" valve bodies with 16 PT. 1/4-turn ceramic disc cartridge.
 - Cold Cartridge 18.30.017, Hot Cartridge 18.30.018
- Available in all finishes. Warranty varies according to finish.

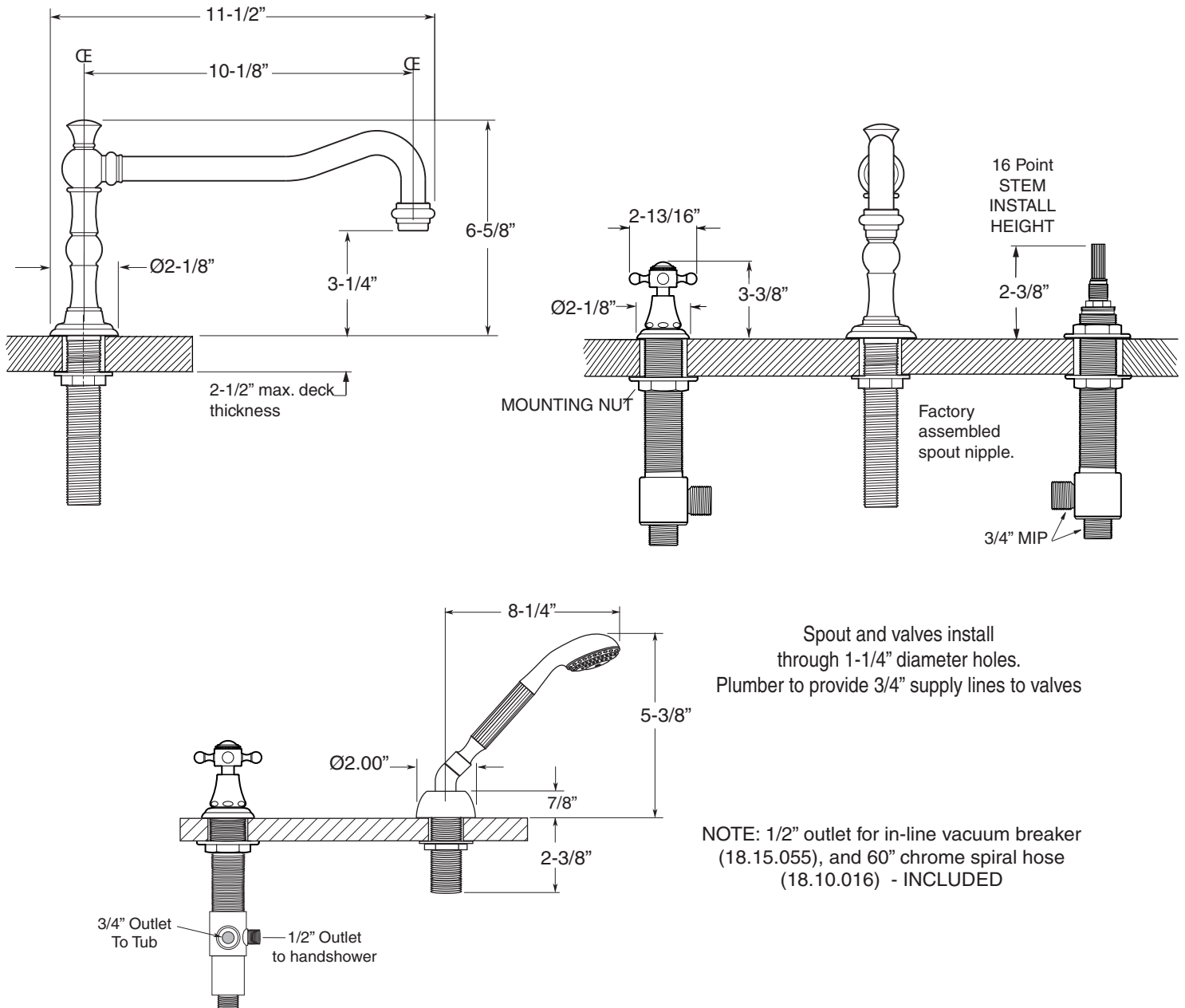
SPECIFICATIONS

350 Series 5-Hole Roman Tub Set with St. Michel Handles

1.355593

1.355593T - Trim Only

18.30.133 - Rough Kit



Spout and valves install through 1-1/4" diameter holes.
Plumber to provide 3/4" supply lines to valves

NOTE: 1/2" outlet for in-line vacuum breaker (18.15.055), and 60" chrome spiral hose (18.10.016) - INCLUDED

Note: Measurements are subject to change or cancellation. No responsibility is assumed for use of superseded or voided pages.