

**FEATURES:**

- Cast brass construction
- 3/4" Thermostatic valve w/Integral Stops: 18.30.171
- Thermostatic valve cartridge with cover plate: 18.30.147
- Thermostatic reverse cartridge with cover plate: 18.30.161
- 14.28 GPM @ 56 PSI top exit & 11.00 GPM bottom exit

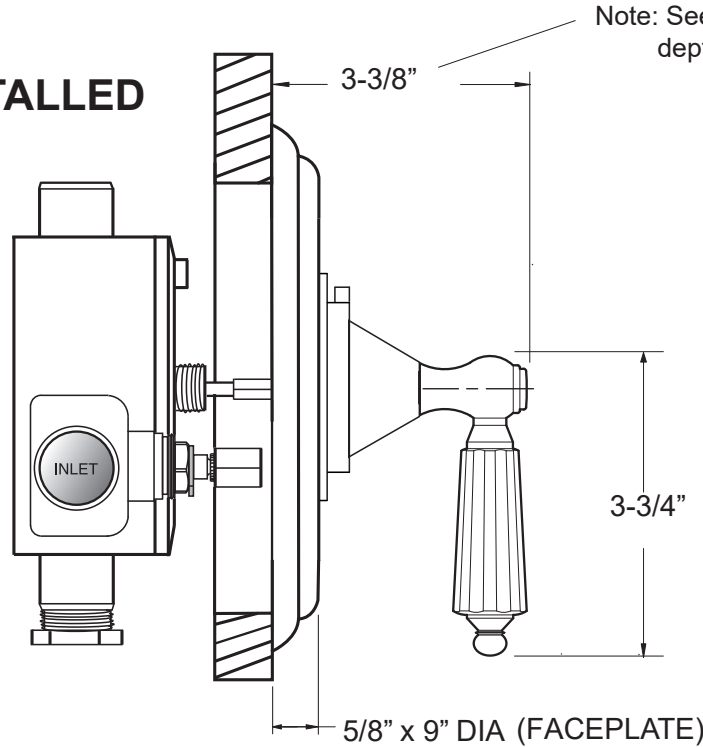
NOTE: Separate 3/4" shut offs required to operate system.

**3/4" Deluxe Thermostatic  
Shower Set with  
Georgian Handle**

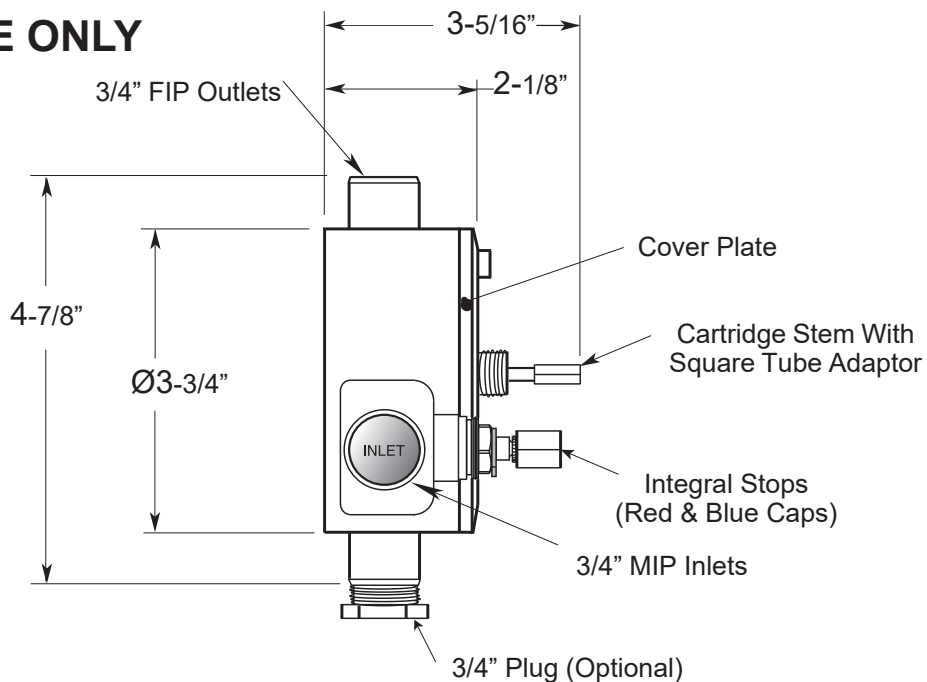
**1.004197D**

**(1.004197DT Trim Only)**

**SIDE VIEW - INSTALLED**



**SIDE VIEW - VALVE ONLY**



Note: Measurements are subject to change or cancellation. No responsibility is assumed for use of superseded or voided pages.