

**SPECIFICATIONS**

**2 Valve Shower Set**

8" Spread

1.004342

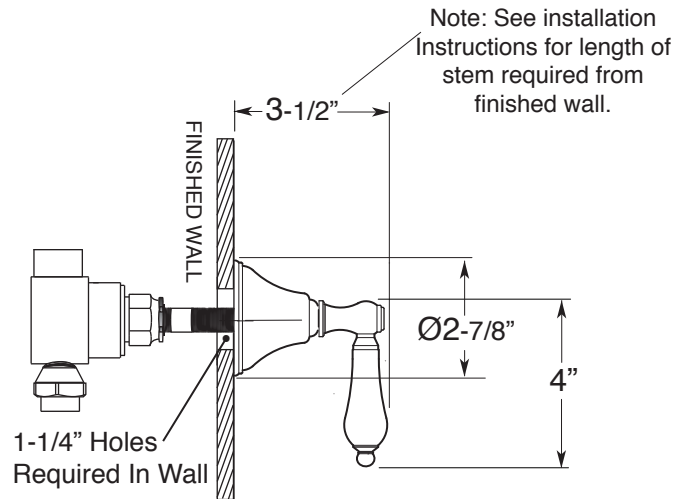
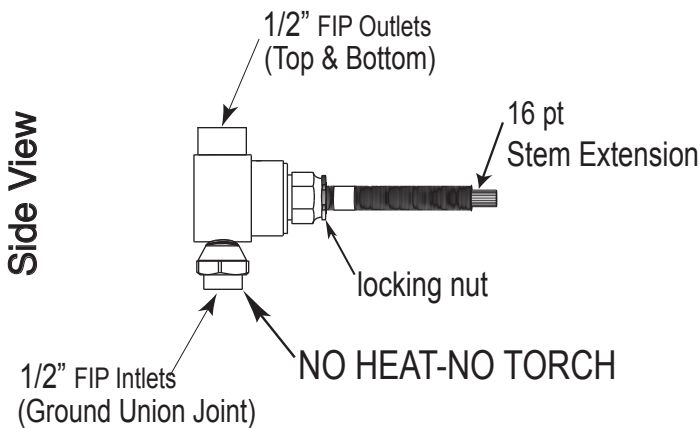
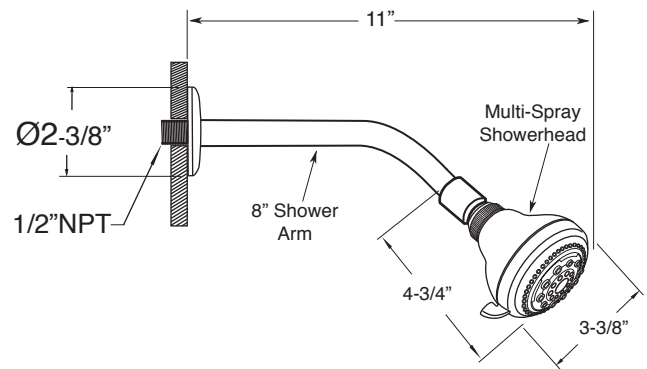
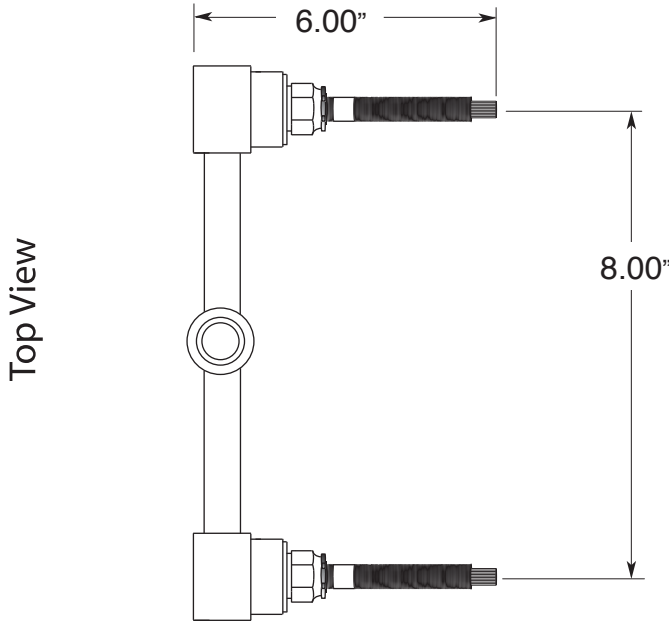
New Hampton Lever

(Ceramic Lever & Brass Escutcheon)

(1.004342T - Trim Only)

Features:

- Forged brass construction
- 8" Center to Center valve (18.30.008)
- 10" Center to Center valve available on request (18.30.141)
- Replacement ceramic disc cartridges:  
COLD 18.30.035 / HOT 18.30.036
- Includes 1.8 GPM Showerhead (18.10.051), arm & flange



Note: Measurements are subject to change or cancellation. No responsibility is assumed for use of superseded or voided pages.