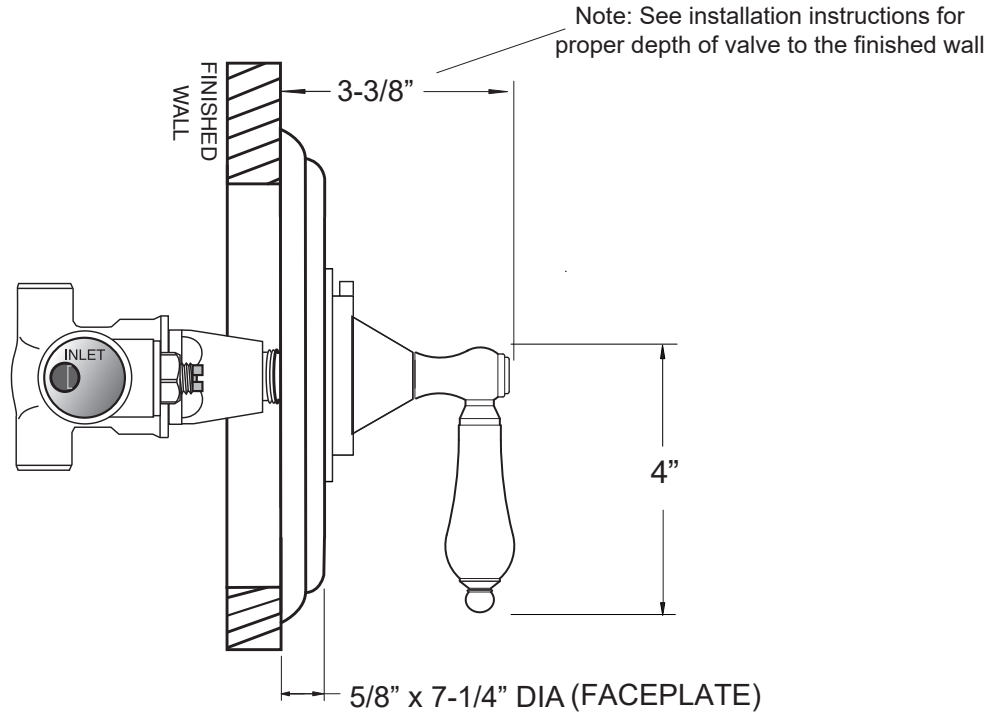


FEATURES:

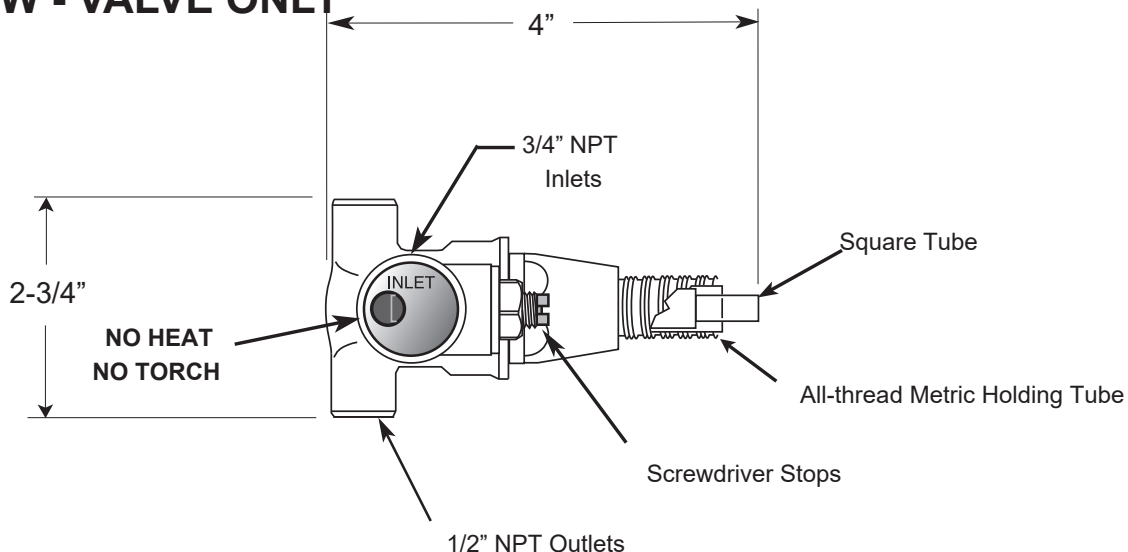
- Forged brass construction.
 - Thermostatic valve cartridge: 18.30.082
 - Screw driver spring check valve: (2) 18.30.181
 - 14.5 GPM @ 45PSI (9.5 top exit)
- Note: Separate shut-offs required to operate system.

1/2" Thermostatic Shower Set
without Volume Control with
New Hampton Handle
1.004396.V0
(1.004396.V0T Trim Only)

SIDE VIEW - INSTALLED



SIDE VIEW - VALVE ONLY



Note: Measurements are subject to change or cancellation. No responsibility is assumed for use of superseded or voided pages.