

Features:

- Forged brass construction
- Built-in diverter valve assembly
- 8" Center to Center available on request
- Replacement cartridge: 18.30.035 - cold / 18.30.036 - hot  
18.30.012 - diverter
- Includes 1.8 GPM Showerhead(18.10.051), arm & flange
- 350 Wall Tub SPOut 18.17.013

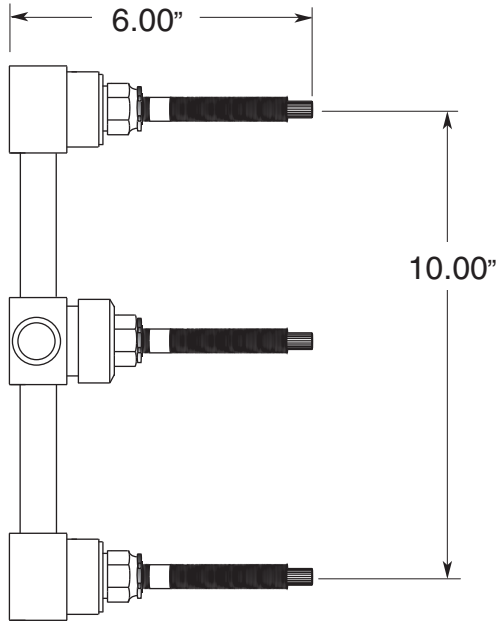
**3 Valve Tub & Shower**

1.355633

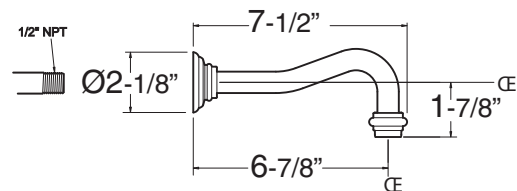
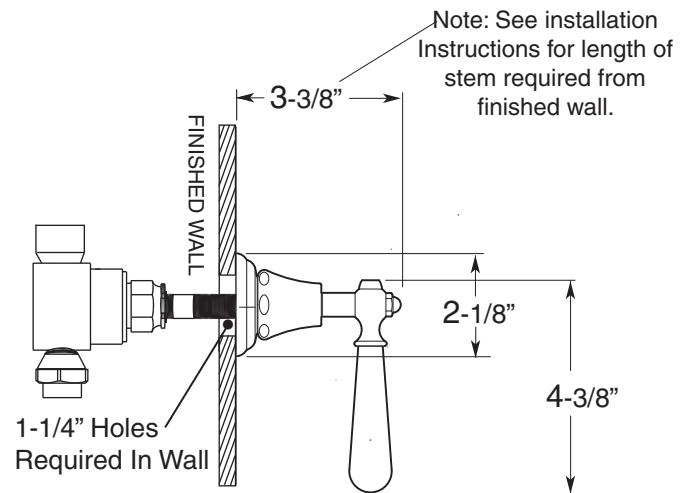
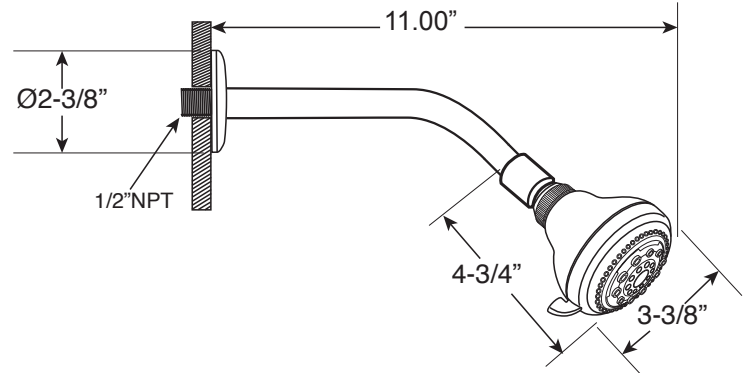
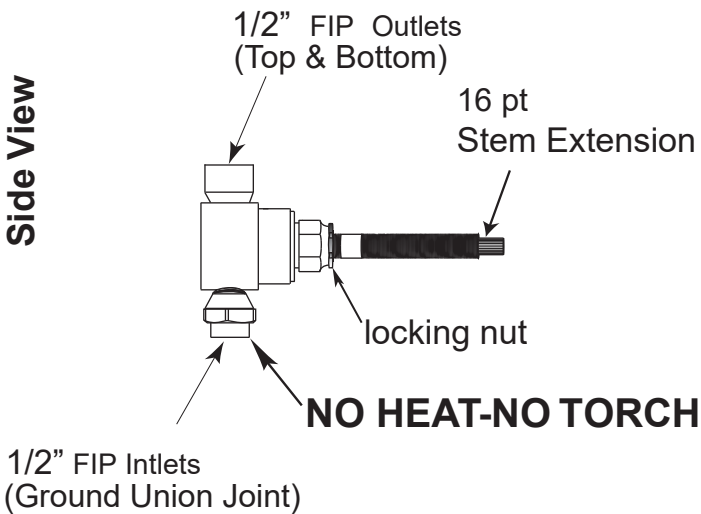
Loire Handle

1.355633T Trim Only

Top View



Side View



Note: Measurements are subject to change or cancellation. No responsibility is assumed for use of superseded or voided pages.