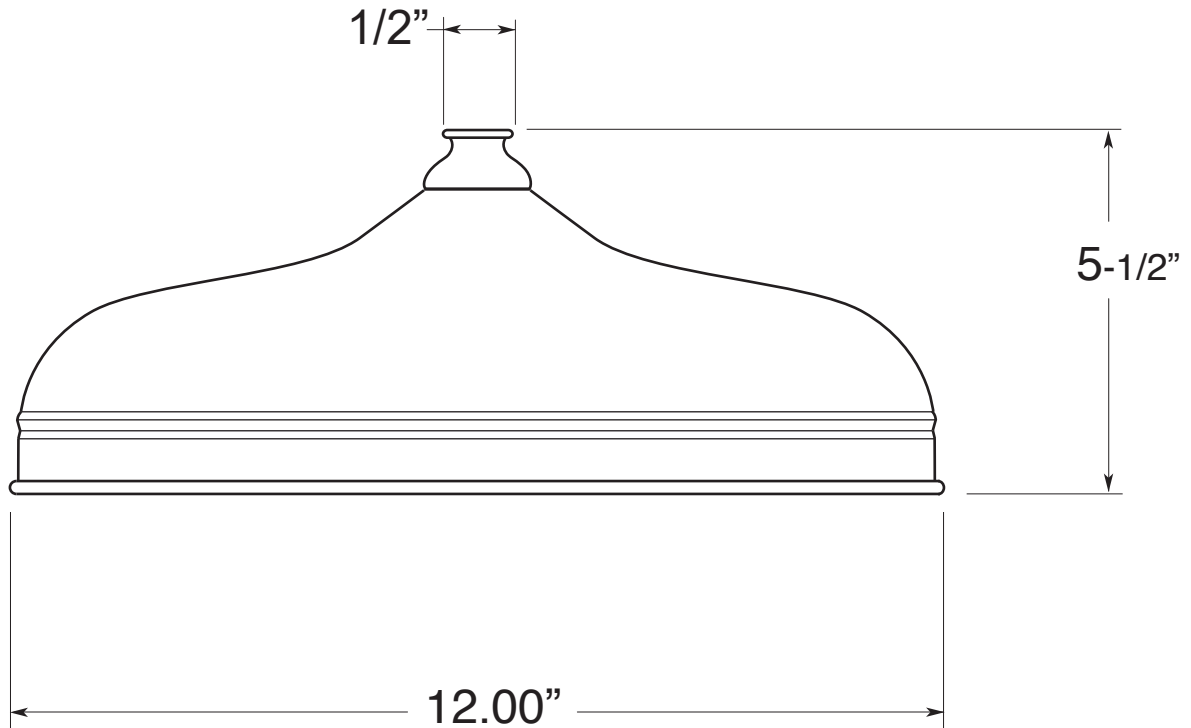


FEATURES:

- All brass construction
- 1/2" female connection
- 1.8 gpm flow restricter installed
- Available in all Sigma finishes

12" Skirted Rainhead

18.10.054



Note: Measurements are subject to change or cancellation. No responsibility is assumed for use of superseded or voided pages.