

**FEATURES:**

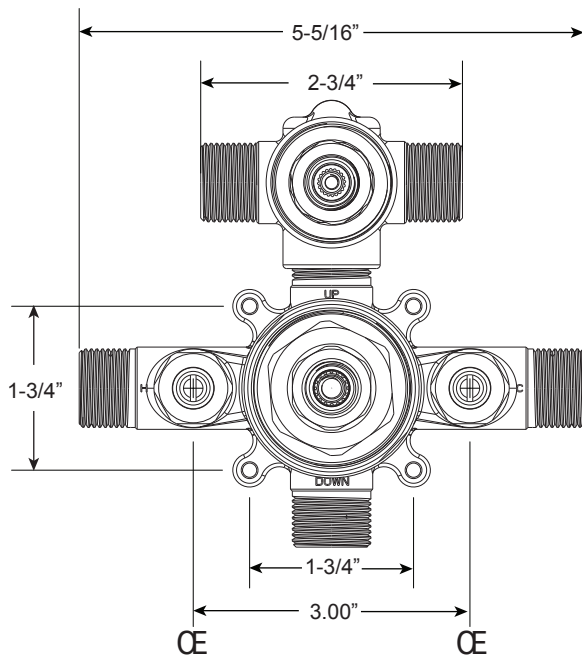
- Forged brass construction
- Valve cartridge 18.30.893
- Diverter cartridge: 18.30.898
- Adjustable hot limit safety stop
- Reversible cartridge
- 4.5 GPM @ 45 PSI

**Series 300/350**  
*Pressure Balance Shower by Shower Set*

1.005567  
 (1.005567T - Trim Only)

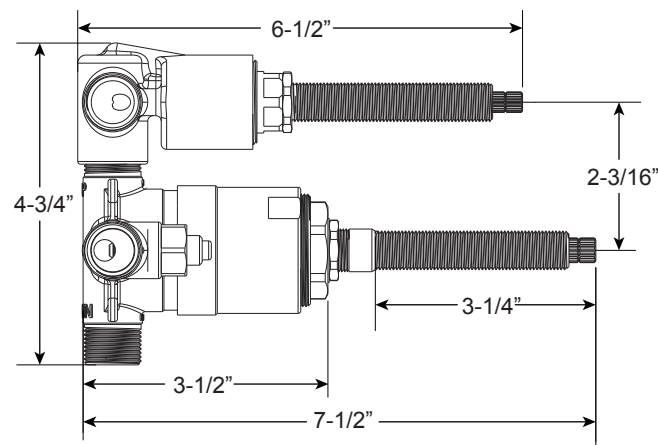
**St. Michel Handle**

**16 pt.**



**FRONT VIEW**

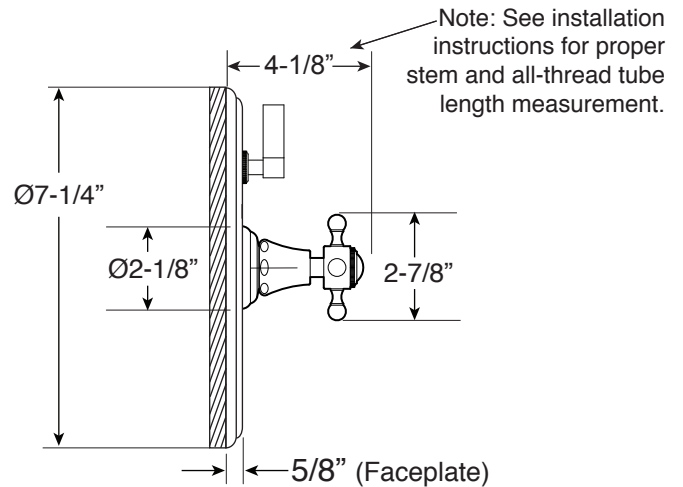
**SIDE VIEW**



*\*Note: Stem and all-thread tube will be sent with handle trim.*

**Please Note:**

*Must purchase the two desired shower components separately. See current catalog for shower component options.*



\* Current valve in use:  
 Circa 4/2014 - present  
 Contact Customer Service  
 for Older Versions

\*\* For additional information on  
 cartridges or extension kits,  
 see 'Rough Valving' section  
 in current catalog.

Note: Measurements are subject to change. No responsibility is assumed for use of superseded or voided pages.