

Series 350

Pressure Balance Shower by Shower Set

1.005767

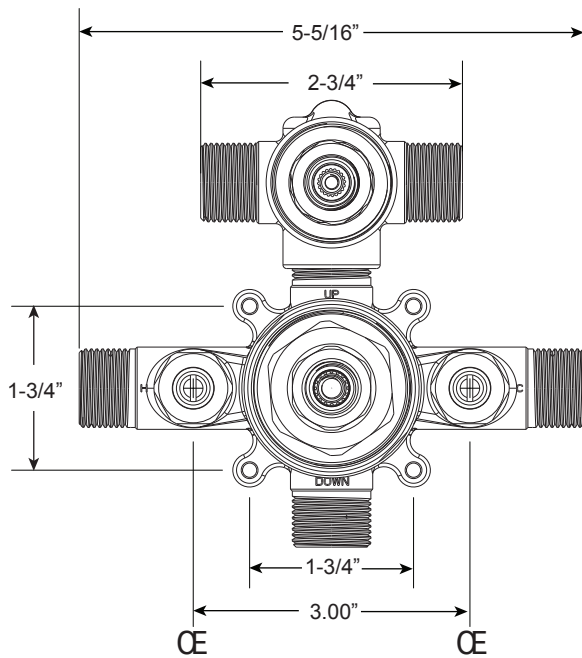
(1.005767T - Trim Only)

FEATURES:

- Forged brass construction
- Valve cartridge 18.30.893
- Diverter cartridge: 18.30.898
- Adjustable hot limit safety stop
- Reversible cartridge
- 4.5 GPM @ 45 PSI

Orleans (Ceramic) Handle

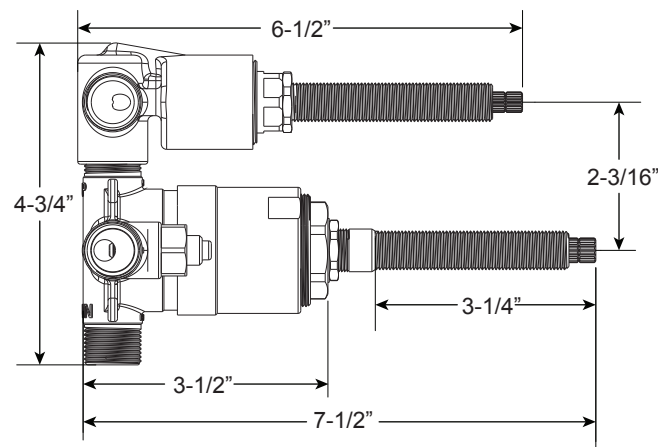
16 pt.



FRONT VIEW

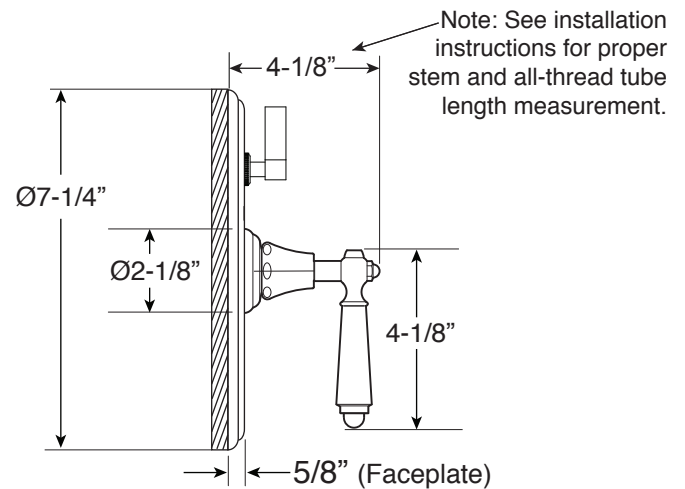
SIDE VIEW

*Note: Stem and all-thread tube will be sent with handle trim.



Please Note:

Must purchase the two desired shower components separately. See current catalog for shower component options.



* Current valve in use:
Circa 4/2014 - present
Contact Customer Service
for Older Versions

** For additional information on
cartridges or extension kits,
see 'Rough Valving' section
in current catalog.

Note: Measurements are subject to change. No responsibility is assumed for use of superseded or voided pages.