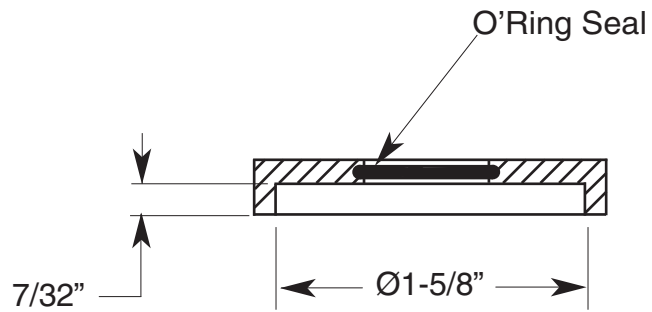
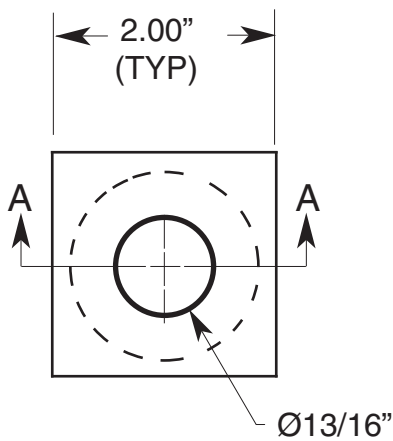


FEATURES:

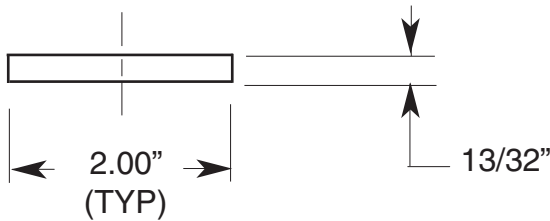
- All brass construction
- Available in all Sigma finishes

Specifications
Shower Flange

1/2" Square Shower Flange
Solid Brass
18.10.049



SECTION A-A



Note: Measurements are subject to change or cancellation. No responsibility is assumed for use of superseded or voided pages.