

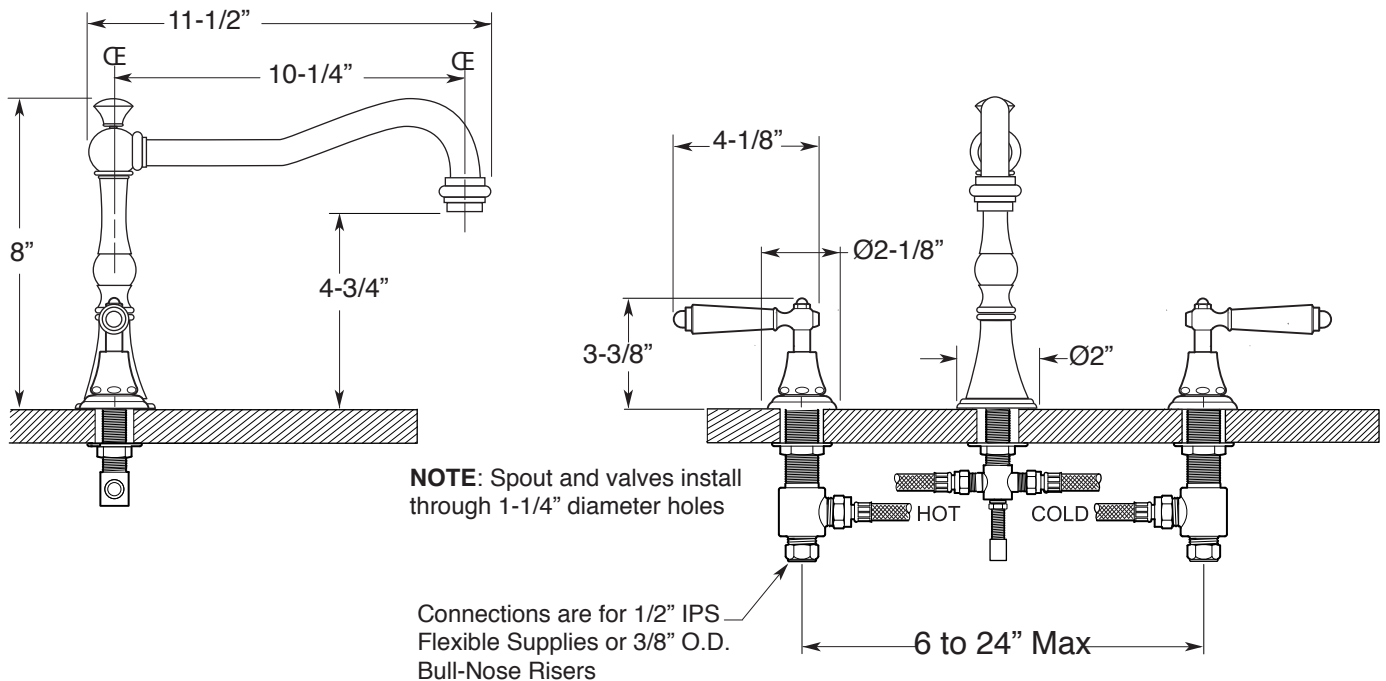
FEATURES:

- All brass construction
- Available in all Sigma finishes
- 12" Stainless steel flex lines from valves to spout are supplied
- Maximum deck thickness: 1-3/4"
- Replacement cartridge - 1/4 Turn ceramic disc cartridge
Cold: 18.30.029 / Hot: 18.30.030
- Measurements vary according to handle choice
- Certified to meet or exceed the following codes and standards:
ASME A112.18.1/CSA B 125.1-2011

Kitchen & Bar

**350 Widespread Kitchen
Monte Carlo Handle**

1.3559010



Note: Measurements are subject to change or cancellation. No responsibility is assumed for use of superseded or voided pages.