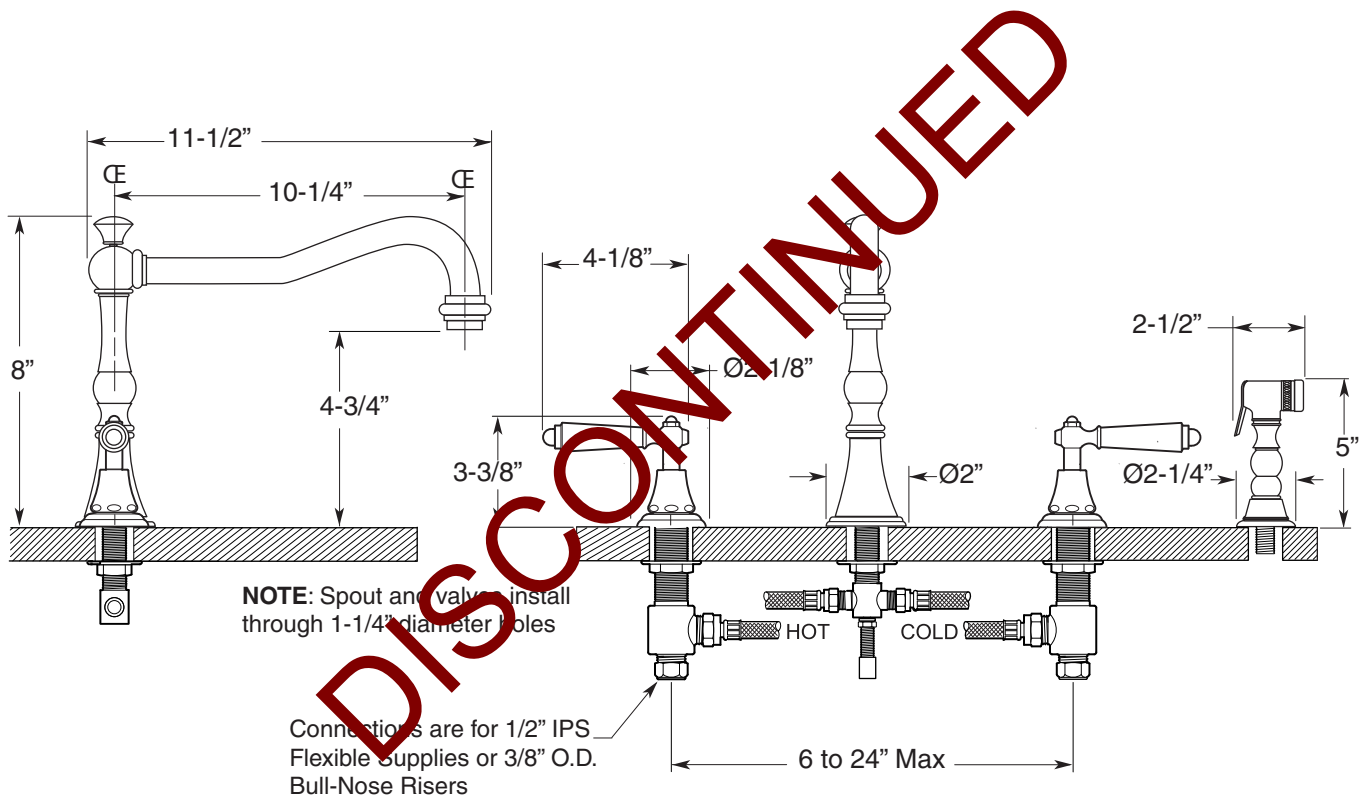


FEATURES:

- All brass construction
- Available in all Sigma finishes
- 12" Stainless steel flex lines from valves to spout are supplied
- Maximum deck thickness: 1-3/4"
- Replacement cartridge - 1/4 Turn ceramic disc cartridge Cold: 18.30.029 / Hot: 18.30.030
- Measurements vary according to handle choice

SPECIFICATIONS
Kitchen & Bar

350 Widespread Kitchen with
Metal Handspray
1.3559012
Monte Carlo Handle



Note: Measurements are subject to change or cancellation. No responsibility is assumed for use of superseded or voided pages.