

FEATURES:

- All brass construction.
- Fits 1-1/2" IPS coarse thread with mounting screws.
- Available in all finishes.

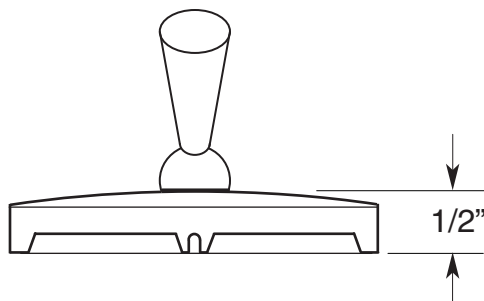
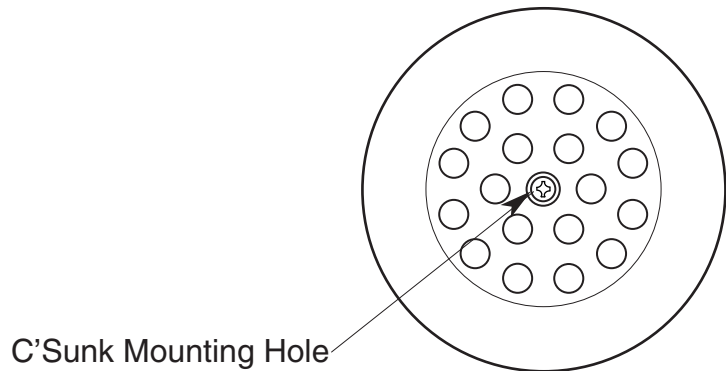
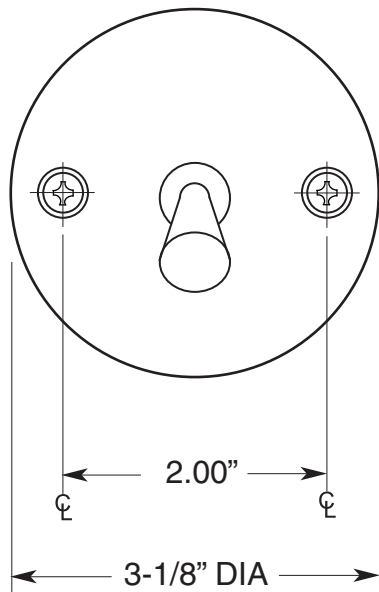
Specifications

APS

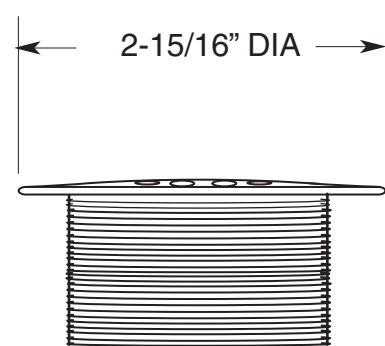
American Plumbing Specialties

Trip Lever Waste Cover with
Gerber Style Bath Tub Drain

APS.11.296



FACEPLATE



**LIFT & TURN
DRAIN**

Note: Measurements are subject to change or cancellation. No responsibility is assumed for use of superseded or voided pages.