

**Series 350**  
*Wall/Vessel Lavatory Set*

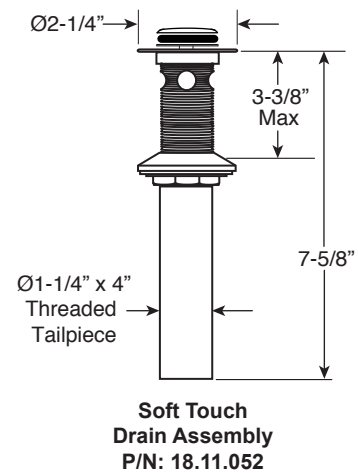
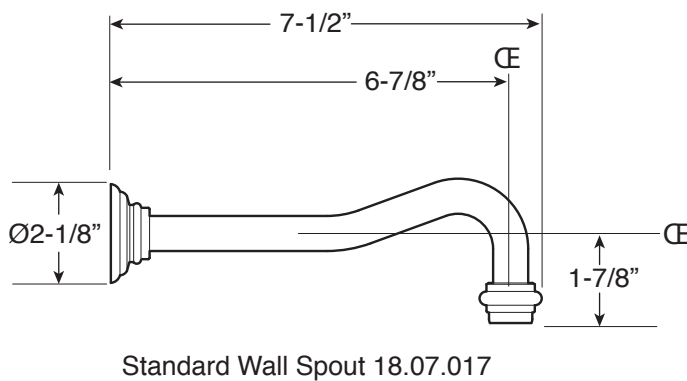
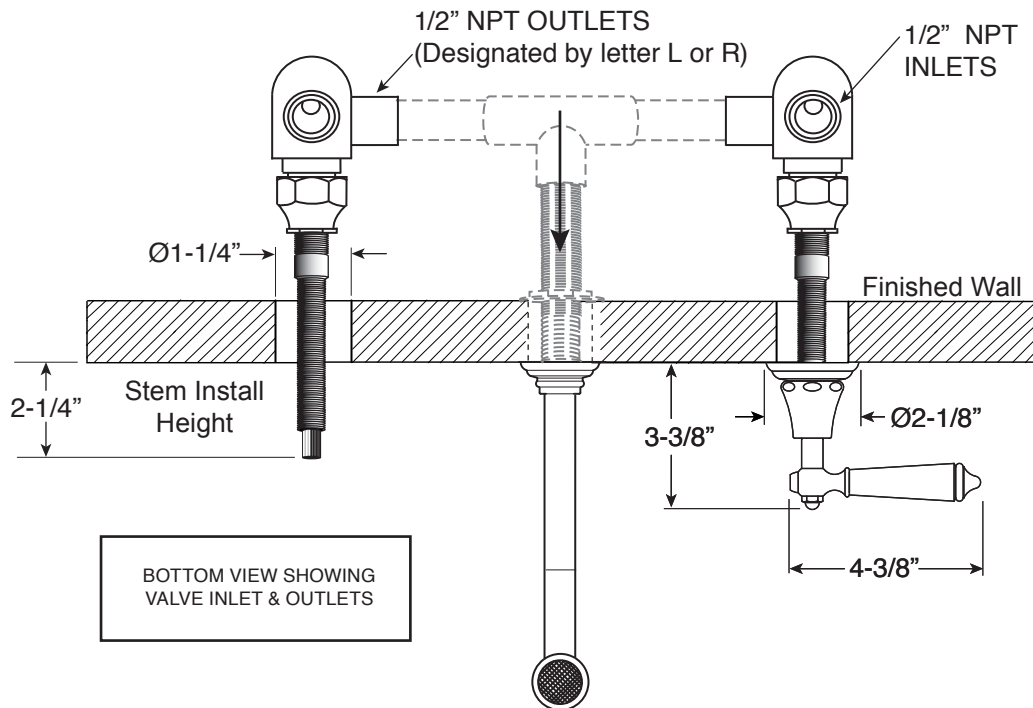
1.355907S  
(1.355907ST - Trim Only)

**Monte Carlo Handle**

**16 pt.**

**FEATURES:**

- All brass construction
- Independent corner valves
- Includes soft touch drain w/overflow: P/N 18.11.052
- 1/4-turn ceramic disc valve cartridge.
- Available in all finishes. Warranty varies according to finish selection.
- Certified to meet or exceed the following codes and standards:  
ASME A112.18.1/CSAB 125.1-2012



Note: Measurements are subject to change. No responsibility is assumed for use of superseded or voided pages.