

SPECIFICATIONS
Series 350

Pressure Balance Tub & Shower

1.355968

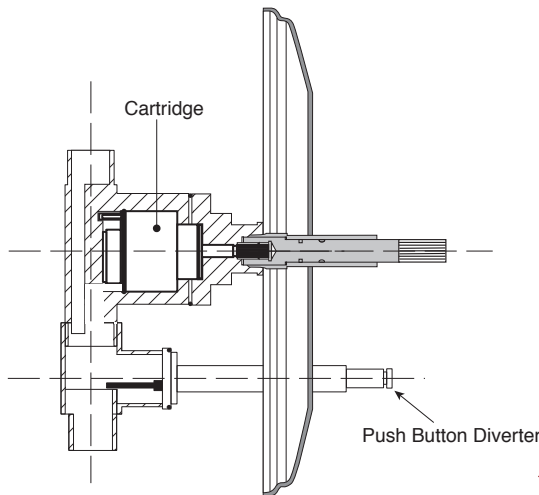
Monte Carlo Handle

(1.355968T - Trim Only)

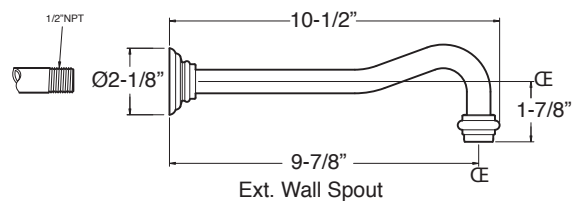
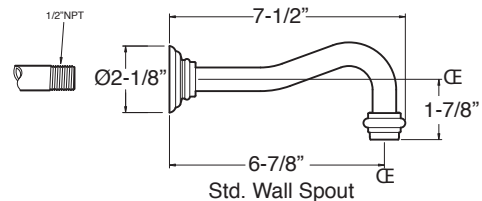
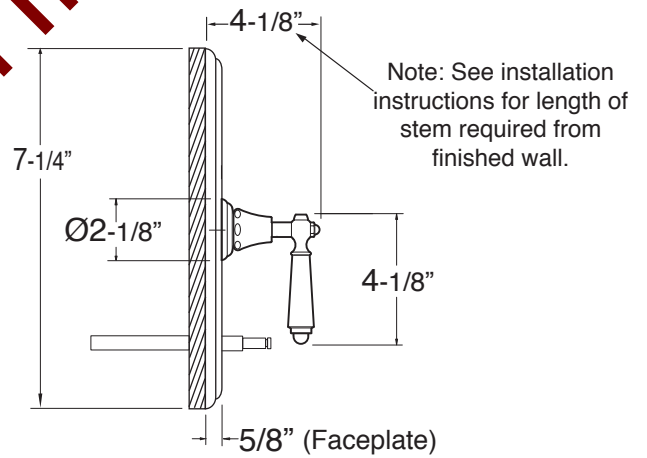
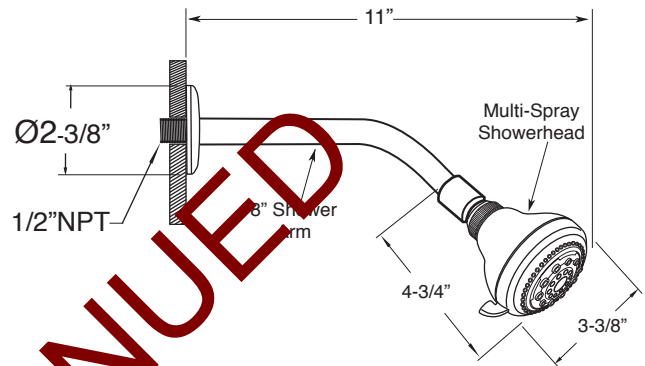
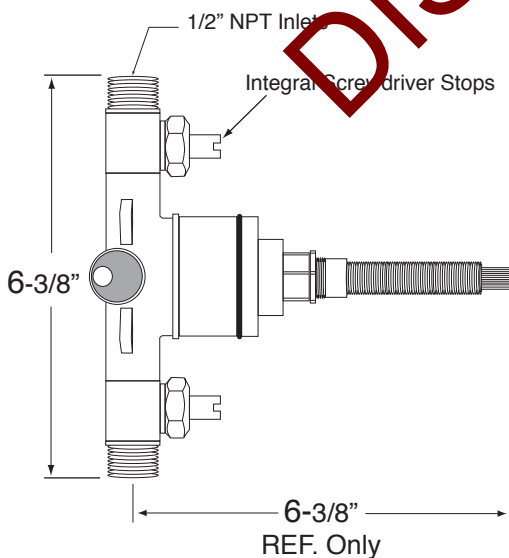
Features:

- Forged brass construction
- Ceramic disk valve cartridge 18.30.865
- Adjustable hot limit safety stop
- Reversible cartridge
- 5.6 GPM @ 45 PSI

Cutaway View



Top View



Note: Measurements are subject to change or cancellation. No responsibility is assumed for use of superseded or voided pages.