

FEATURES:

- Cast brass construction.
- 3/4" Thermostatic valve - 18.30.071
- Thermostatic valve cartridge with cover plate: 18.30.147
- Thermostatic reverse cartridge with cover plate: 18.30.161
- 14.28 GPM @ 56 PSI top exit & 11.10 GPM bottom exit

3/4" Thermostatic Shower Set with Lisse Handle

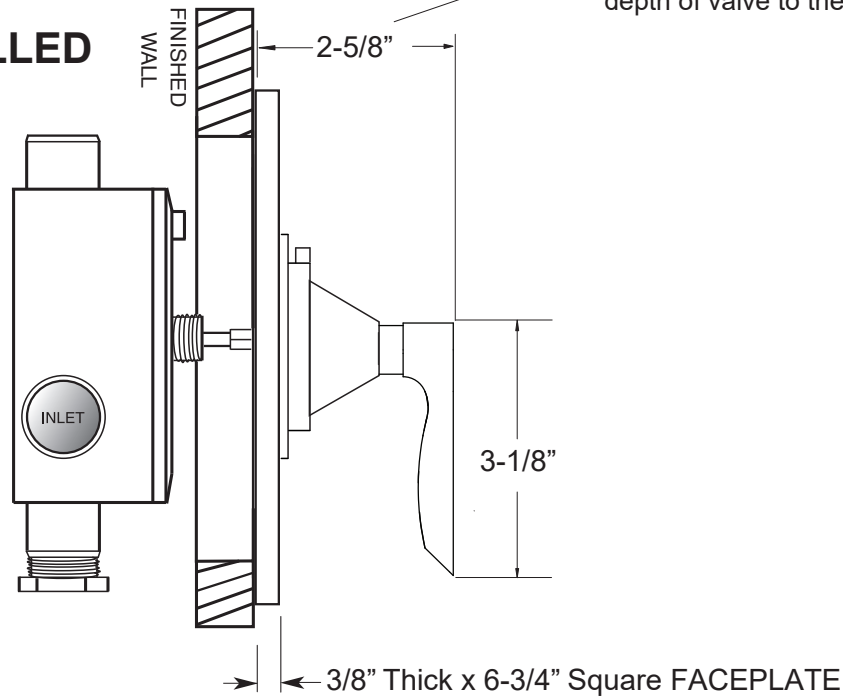
1.058397

(1.058397T Trim Only)

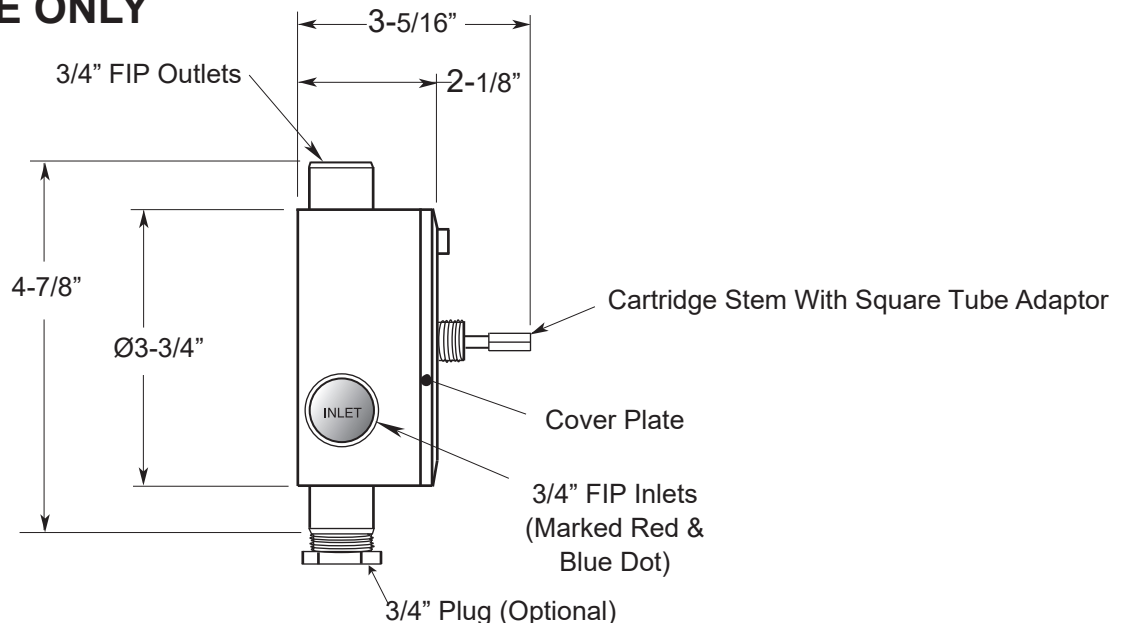
NOTE: Separate 3/4" shut offs required to operate system.

Note: See installation instructions for proper depth of valve to the finished wall

SIDE VIEW - INSTALLED



SIDE VIEW - VALVE ONLY



Note: Measurements are subject to change or cancellation. No responsibility is assumed for use of superseded or voided pages.