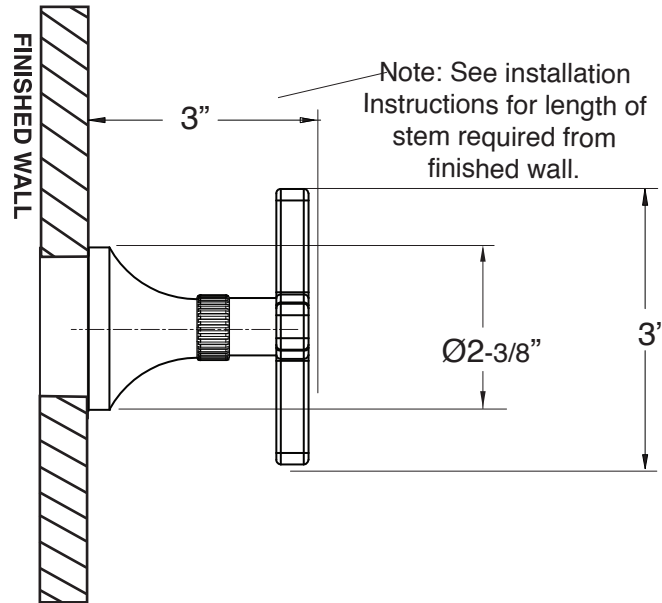


Trim Only
Stella X
1.000787T



Trim used with the following Valves:

- 18.30.020 - 1/2" Volume Control - 16 pt.....Replacement cartridge: 18.30.036
- 18.30.023 - 3/4" Volume Control - 16 pt.....Replacement cartridge: 18.30.011
- 18.30.255 - 3 port In-wall Diverter - 16 pt.....Replacement cartridge: 18.30.259
- 18.30.253 - 4 port In-wall Diverter - 16 pt.....Replacement cartridge: 18.30.257

- 78.30.020 - 1/2" Volume Control - 20 pt.....Replacement cartridge: 18.30.036
- 78.30.023 - 1/2" Volume Control - 20 pt.....Replacement cartridge: 18.30.011
- 78.30.255 - 3 port In-wall Diverter - 20 pt.....Replacement cartridge: 18.30.259
- 78.30.253 - 4 port In-wall Diverter - 20 pt.....Replacement cartridge: 18.30.257

Note: Measurements are subject to change or cancellation. No responsibility is assumed for use of superseded or voided pages.