

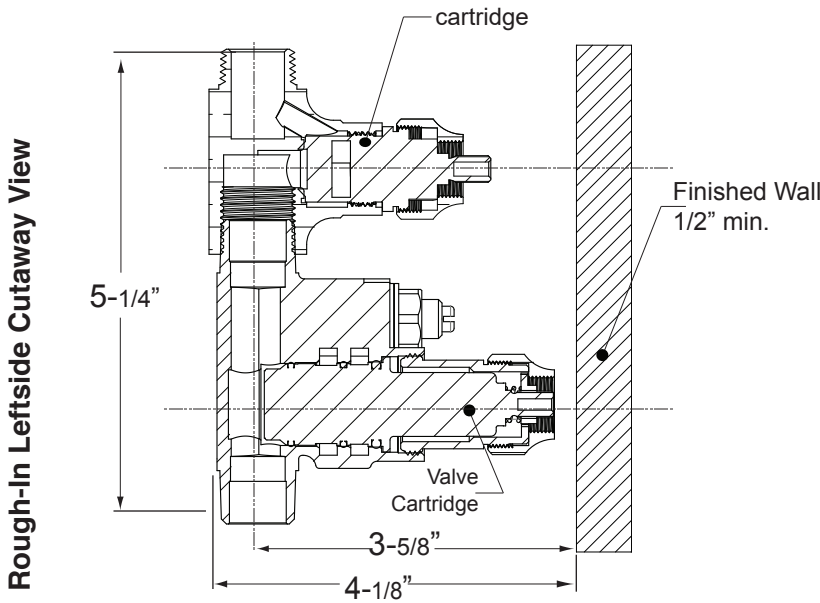
**Alexandria**

E-Mini Therm Valve  
Remote Thermostatic Valve  
w/Volume Control  
18.30.291

Features:

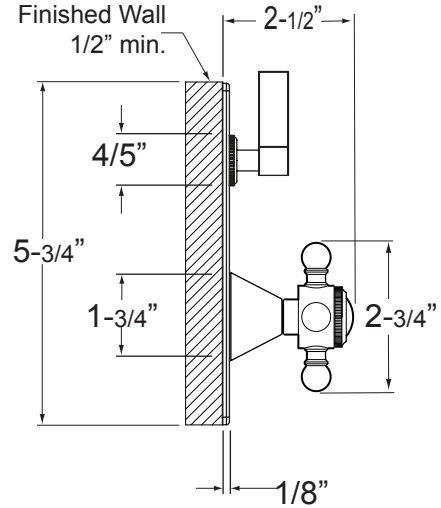
- Forged Brass Construction
- Adjustable Hot Limit Safety Stop with Push-In Override
- Flow capacity / Shut-Off: 7.0 gpm @ 45 psi
- Thermostatic valve cartridge: 18.30.294
- Cartridge: 18.30.903

• NOTE: Leave cap on the out port to modify to 18.30.291



\*NOTE: Stem and All-Thread Tube will be sent with Handle Trim.

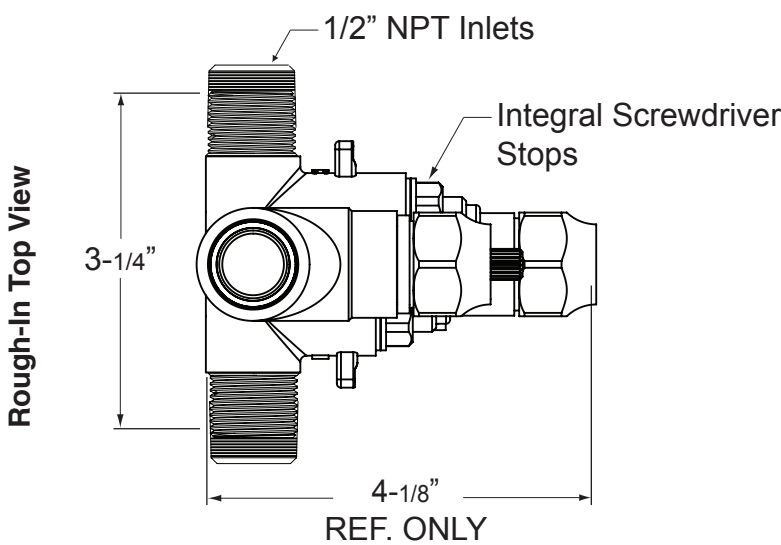
Rectangle Faceplate Leftside View



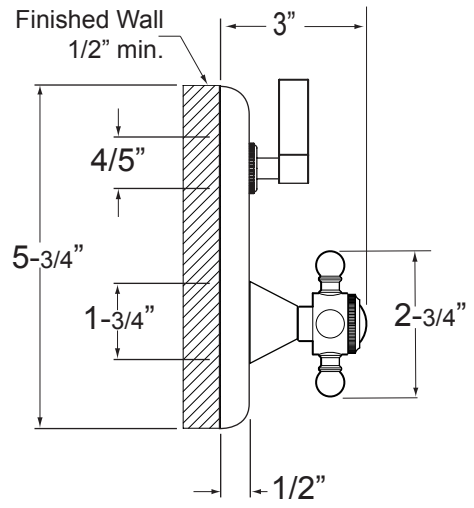
**1.0S1451T**  
5-3/4" x 3-3/4"

NOTE: MUST purchase Showerhead, Arm, Flange, and other options separately.

\*NOTE: Stem and All-Thread Tube will be sent with Handle Trim.



Round Faceplate Leftside View



**1.0R1451T**  
5-3/4" round

NOTE: Measurements are subject to change or cancellation. No responsibility is assumed for use of superseded or voided pages.

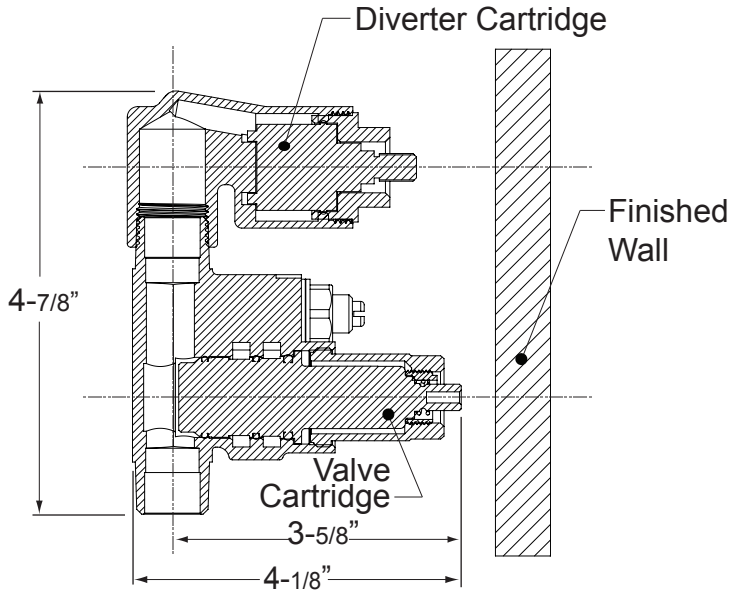
**Alexandria**

E-Mini Therm Valve  
Remote Thermostatic Valve  
w/2 Way Diverter  
18.30.292

Features:

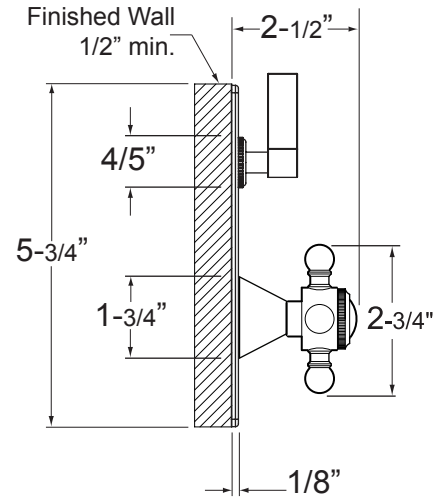
- Forged Brass Construction
- Adjustable Hot Limit Safety Stop with Push-In Override
- Flow capacity / Diverter: 4.5 gpm @ 45 psi
- Thermostatic valve cartridge: 18.30.294
- 2 Way Diverter control cartridge: 18.30.903

**Rough-In Leftside Cutaway View**



\*NOTE: Stem and All-Thread Tube will be sent with Handle Trim.

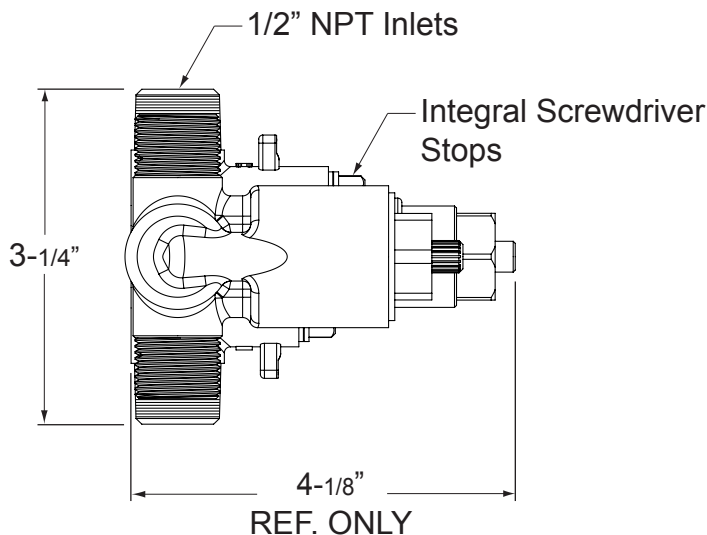
**Rectangle Faceplate Leftside View**



**1.0S1451T**  
5-3/4" x 3-3/4"

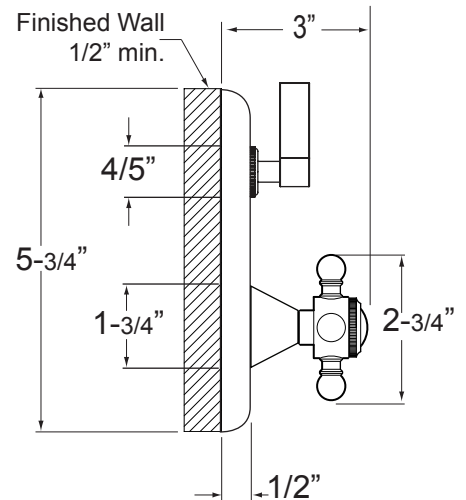
NOTE: MUST purchase Showerhead, Arm, Flange, and other options separately.

**Rough-In Top View**



\*NOTE: Stem and All-Thread Tube will be sent with Handle Trim.

**Round Faceplate Leftside View**



**1.0R1451T**  
5-3/4" round

NOTE: Measurements are subject to change or cancellation. No responsibility is assumed for use of superseded or voided pages.