

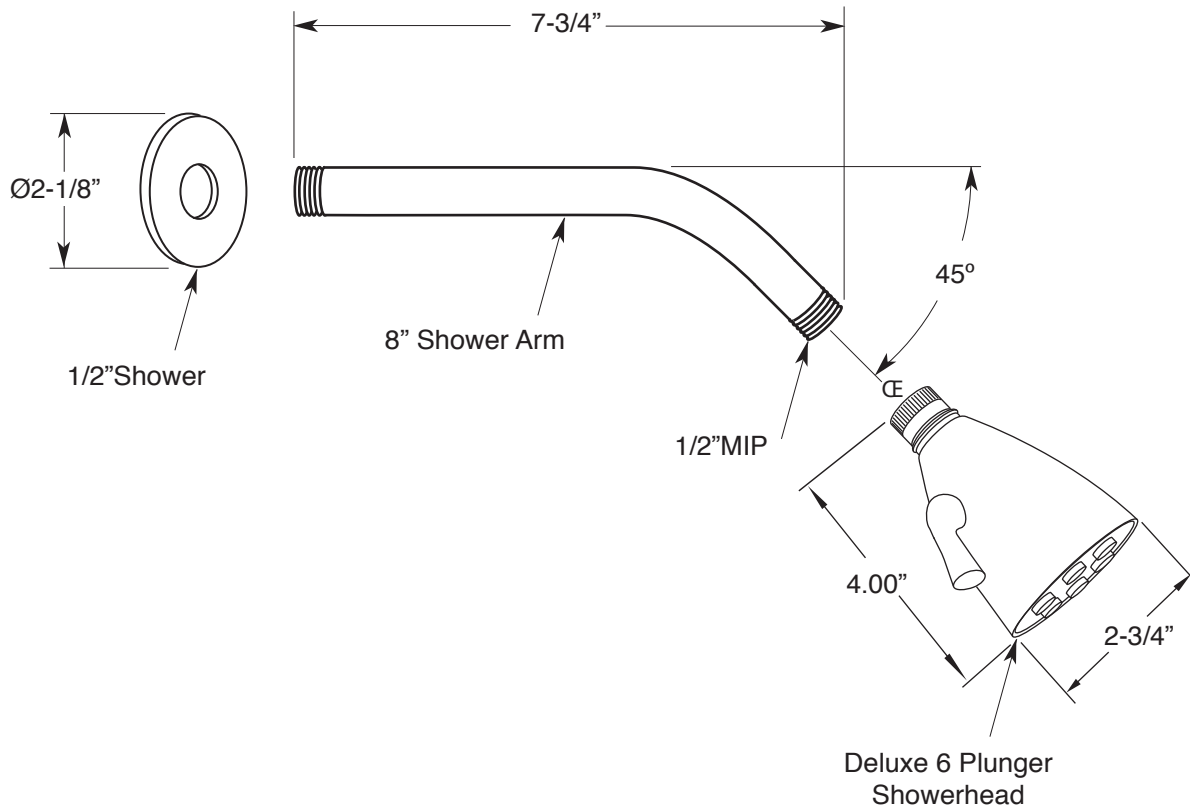
**FEATURES:**

- All brass construction
- 6 plunger 1.8 GPM Showerhead P/N: 18.10.024
- 8" extended shower arm P/N: 18.10.043
- 1/2" stamped shower flange P/N: 18.10.003
- 1.8 gpm flow restricter installed
- Available in all Sigma finishes

**Showerhead**

**6 Plunger Showerhead  
Arm and Flange**

18.10.009



Note: Measurements are subject to change or cancellation. No responsibility is assumed for use of superseded or voided pages.