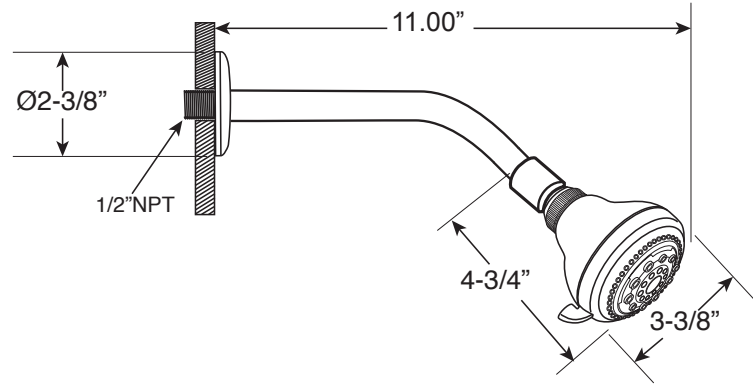
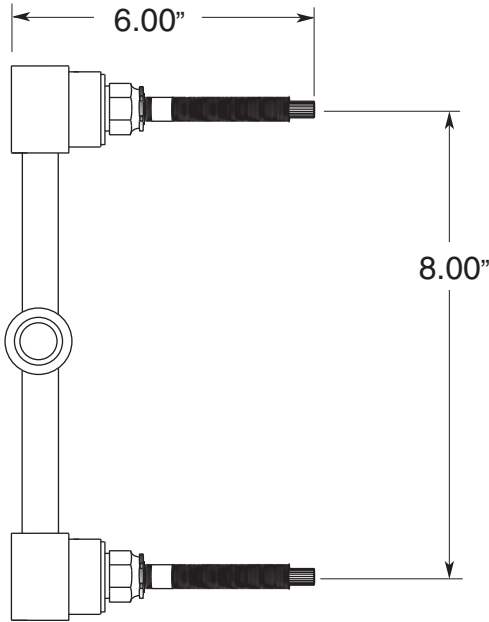


Features:

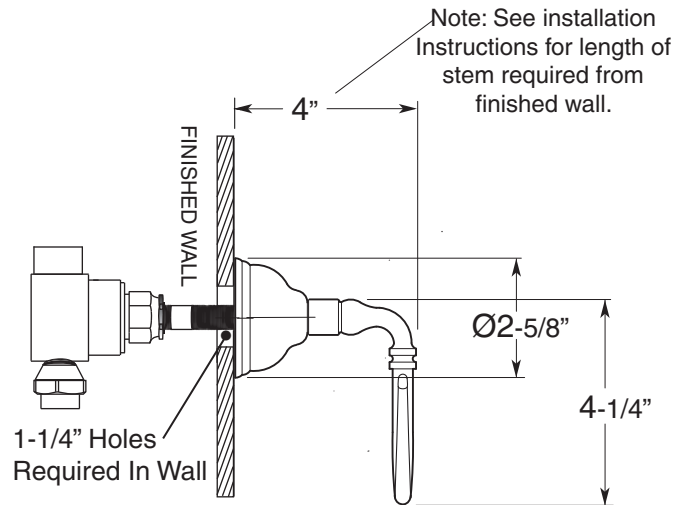
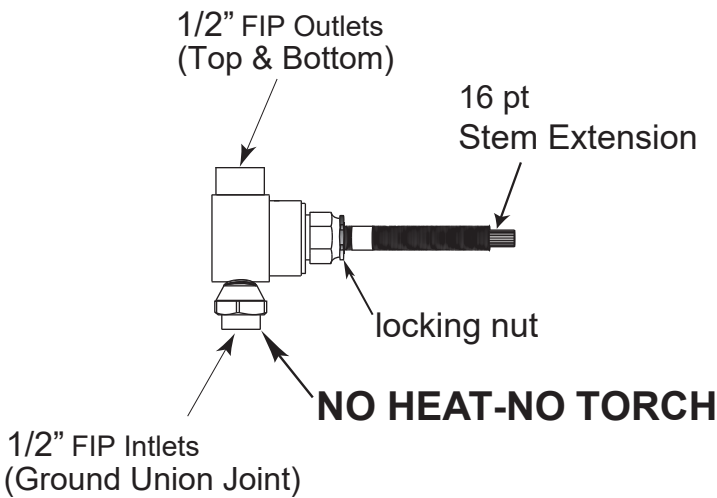
- Forged brass construction
- 8" Center to Center valve (18.30.008)
- 10" Center to Center valve available on request (18.30.141)
- Replacement ceramic disc cartridge:  
COLD 18.30.035 / HOT 18.30.036
- Includes 1.8 GPM Showerhead (18.10.051), arm & flange

**2 Valve Shower Set**  
8" Spread  
1.006442  
Bordeaux Handle  
(1.006442T Trim Only)

**Top View**



**Side View**



Note: Measurements are subject to change or cancellation. No responsibility is assumed for use of superseded or voided pages.