

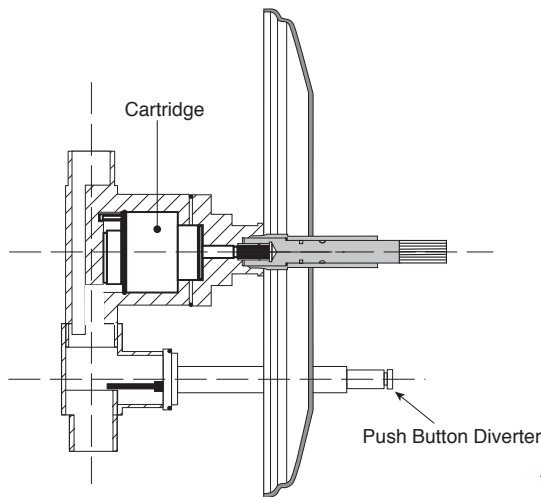
TechData SPECIFICATIONS Series 900

Features:

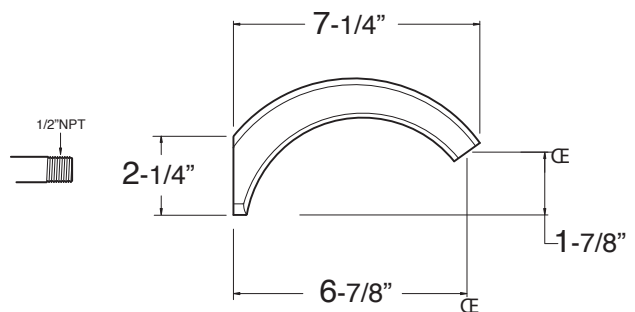
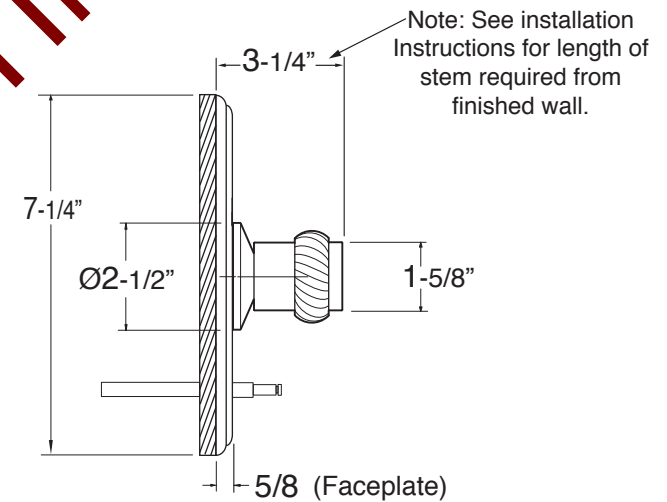
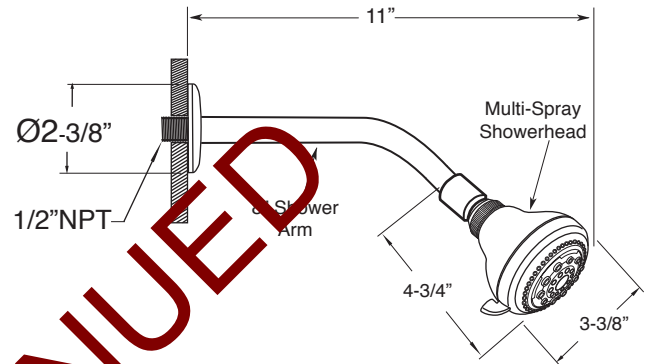
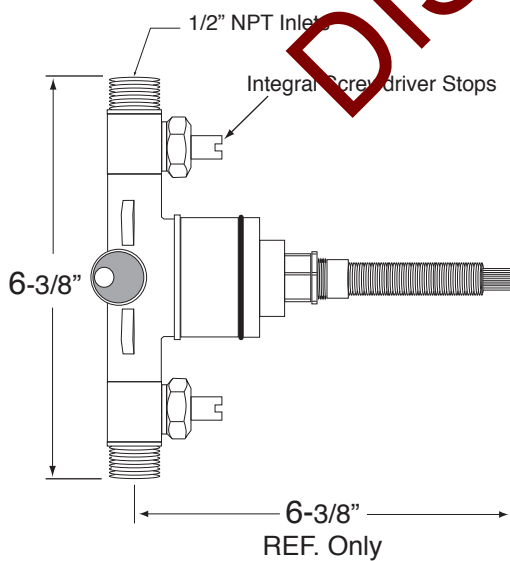
- Forged brass construction
- Ceramic disk valve cartridge 18.30.865
- Adjustable hot limit safety stop
- Reversible cartridge
- 5.6 GPM @ 45 PSI

Pressure Balance Tub & Shower
1.901268
Seville Handle
(1.901268T Trim Only)

Cutaway View



Top View



Note: Measurements are subject to change or cancellation. No responsibility is assumed for use of superseded or voided pages.