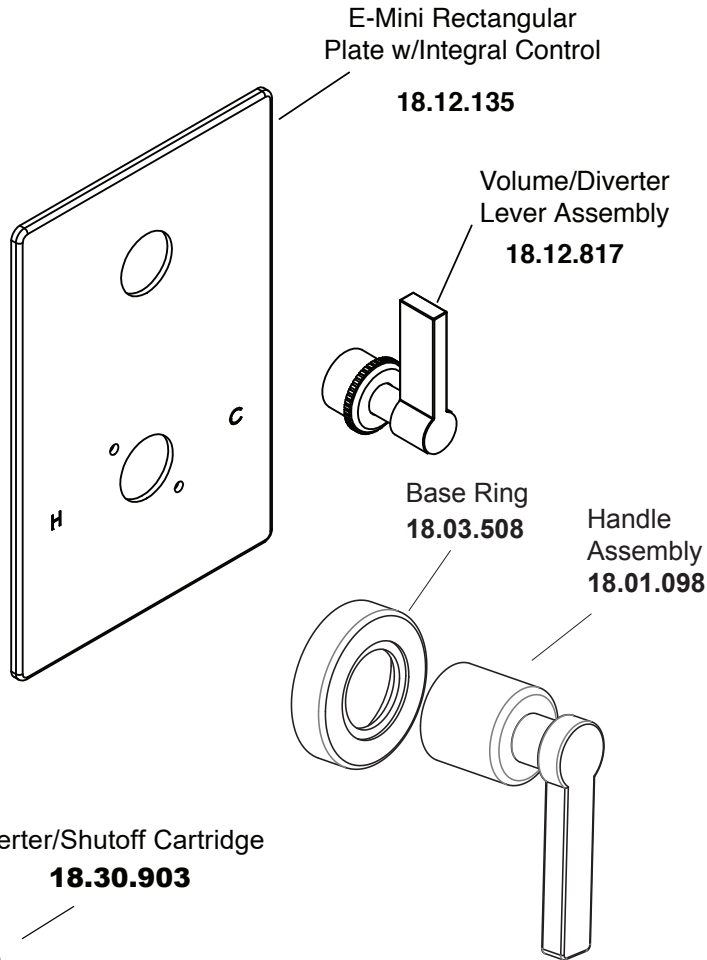
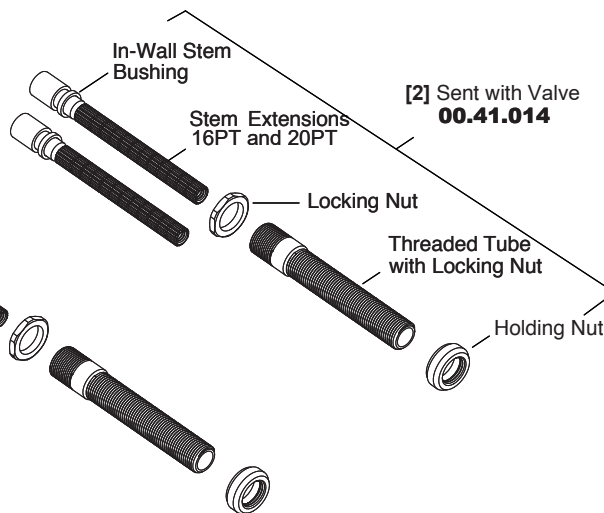
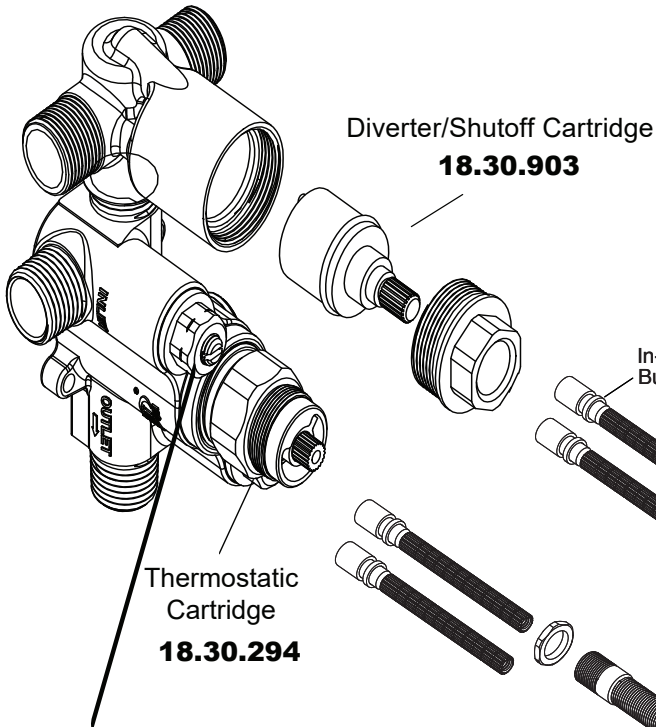


E-Mini Thermostatic Trim W/ Rectangular Plate and Carina Handle

1.0S2851T



E-Mini Thermostatic Valve
18.30.292/18.30.291



Screw Driver Check Valve

18.30.883A (Hot)
18.30.884A (Cold)