

E-Mini Thermostatic Trim W/ Rectangular Plate and Ceres II Handle

1.0S5051T

E-Mini Rectangular
Plate w/Integral Control
18.12.135

Volume/Diverter
Lever Assembly
18.12.817

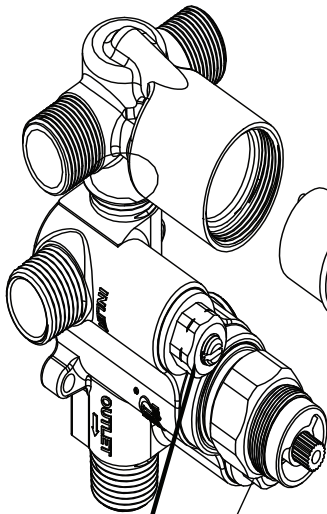
Base Ring
18.03.508

Reducing Brass
Bushing **18.03.100**

E-Mini Thermostatic Valve
18.30.292/18.30.291

Diverter/Shutoff Cartridge
18.30.903

Handle Assembly
18.01.217



Thermostatic
Cartridge
18.30.294

In-Wall Stem
Bushing

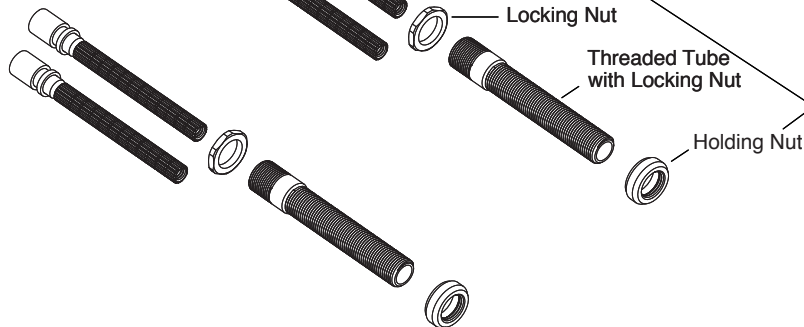
Stem Extensions
16PT and 20PT

[2] Sent with Valve
00.41.014

Locking Nut

Threaded Tube
with Locking Nut

Holding Nut



Screw Driver Check Valve

18.30.883A (Hot)
18.30.884A (Cold)