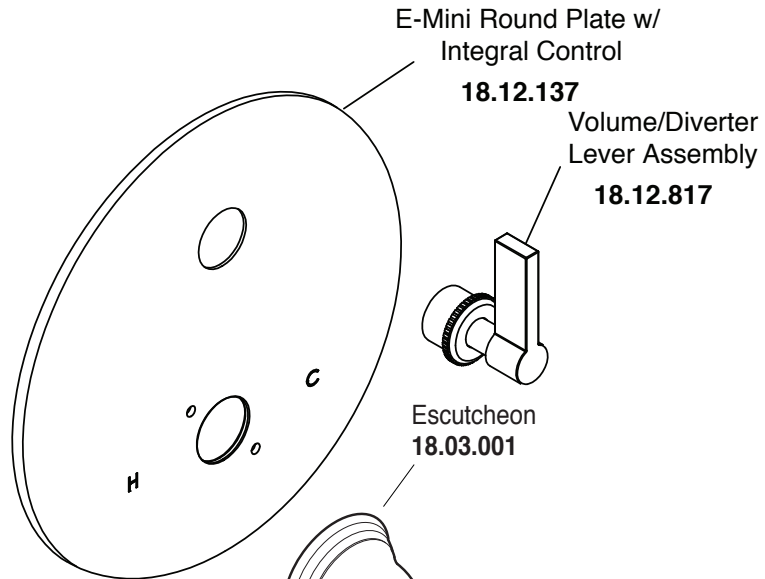
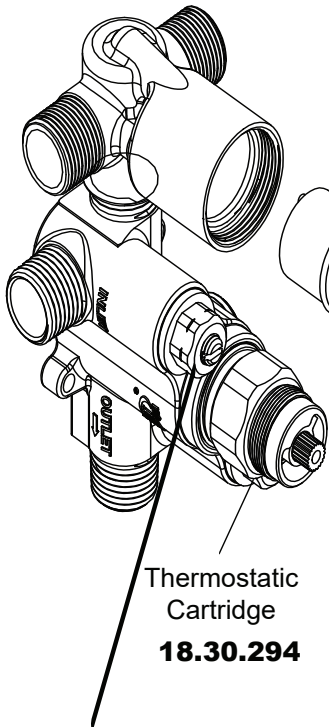


E-Mini Thermostatic Trim W/Round Plate and Hampshire Handle

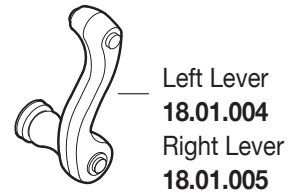
1.0R1351T



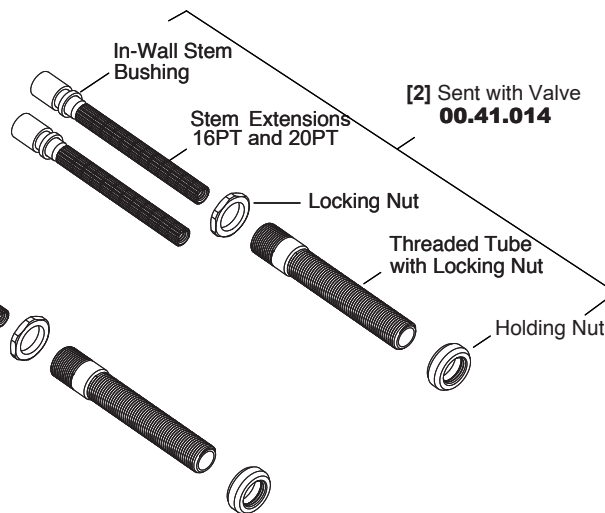
E-Mini Thermostatic Valve
18.30.292/18.30.291



Diverter/Shutoff Cartridge
18.30.903



Left Lever
18.01.004
Right Lever
18.01.005



[2] Sent with Valve
00.41.014

Screw Driver Check Valve

18.30.883A (Hot)
18.30.884A (Cold)