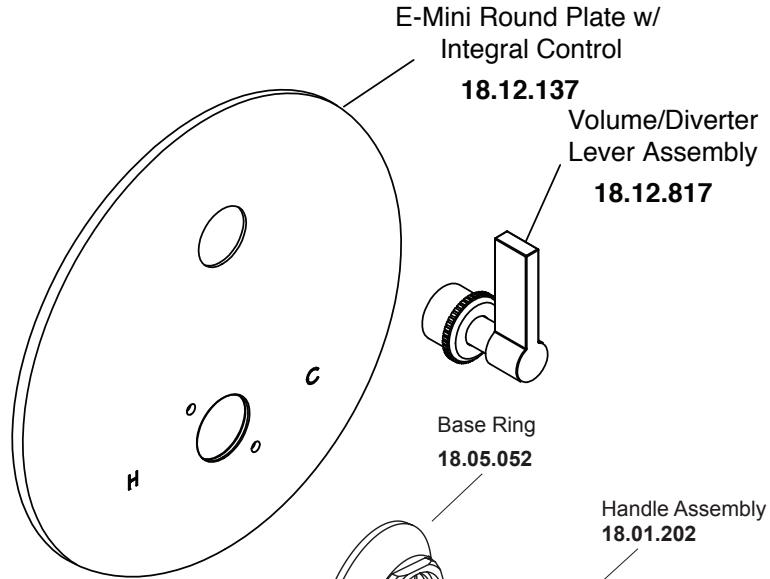
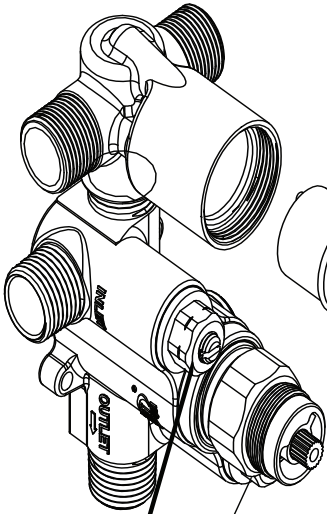


E-Mini Thermostatic Trim W/Round Plate and Tribeca-X Handle

**1.0R3951T**

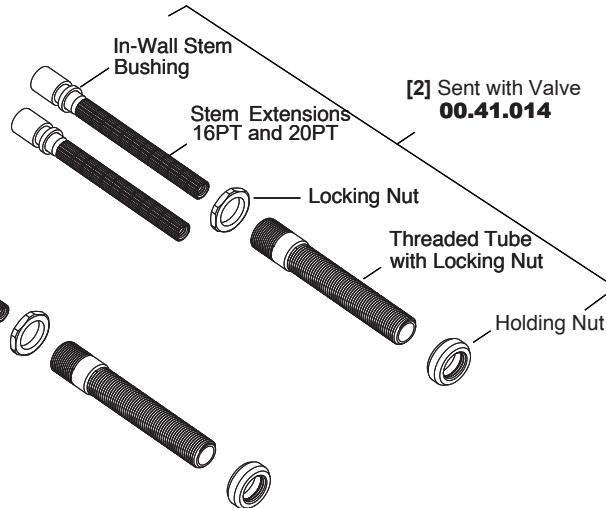


E-Mini Thermostatic Valve  
**18.30.292/18.30.291**



Diverter/Shutoff Cartridge  
**18.30.903**

Thermostatic Cartridge  
**18.30.294**



[2] Sent with Valve  
**00.41.014**

Screw Driver Check Valve

**18.30.883A (Hot)**  
**18.30.884A (Cold)**