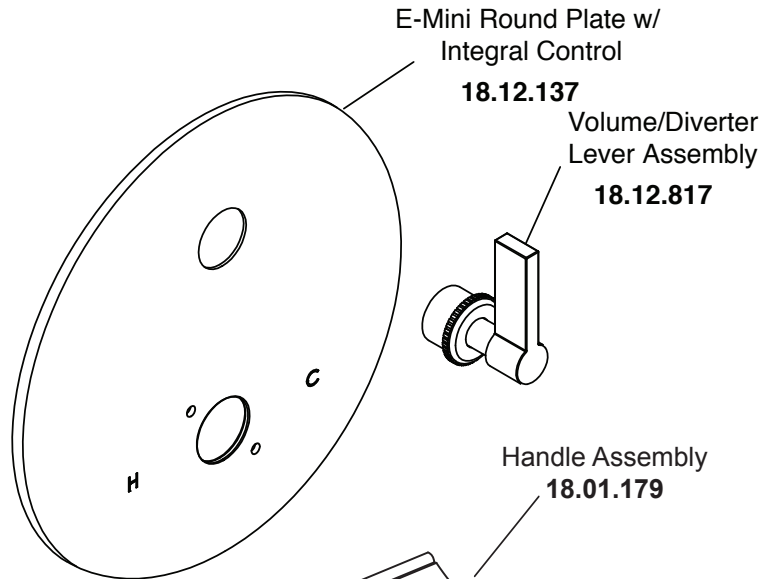


E-Mini Thermostatic Trim W/ Round Plate and Lisse Handle

1.0R8351T



E-Mini Round Plate w/
Integral Control

18.12.137

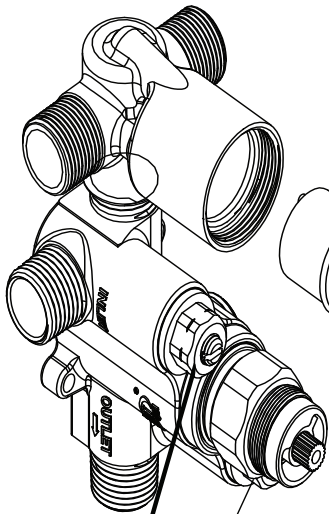
Volume/Diverter
Lever Assembly

18.12.817

Handle Assembly

18.01.179

E-Mini Thermostatic Valve
18.30.292/18.30.291

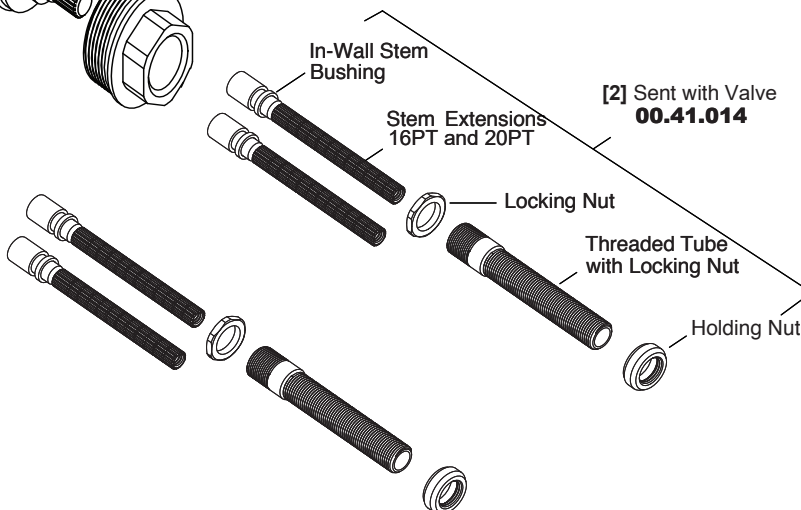


Diverter/Shutoff Cartridge

18.30.903

Thermostatic
Cartridge

18.30.294



In-Wall Stem
Bushing

Stem Extensions
16PT and 20PT

[2] Sent with Valve
00.41.014

Locking Nut

Threaded Tube
with Locking Nut

Holding Nut

Screw Driver Check Valve

18.30.883A (Hot)
18.30.884A (Cold)