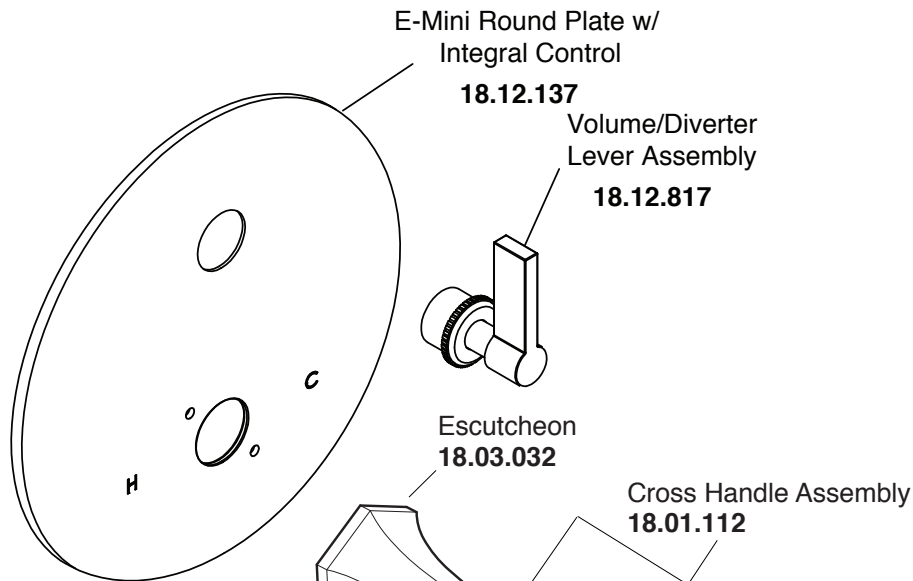
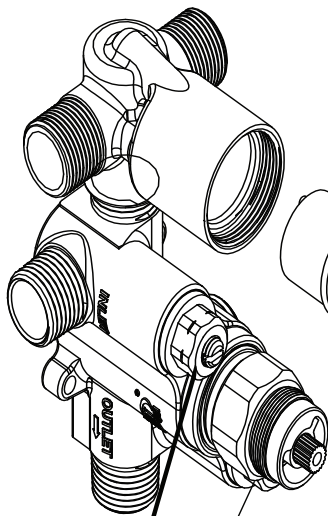


E-Mini Thermostatic Trim W/ Round Plate and Mallorca Handle

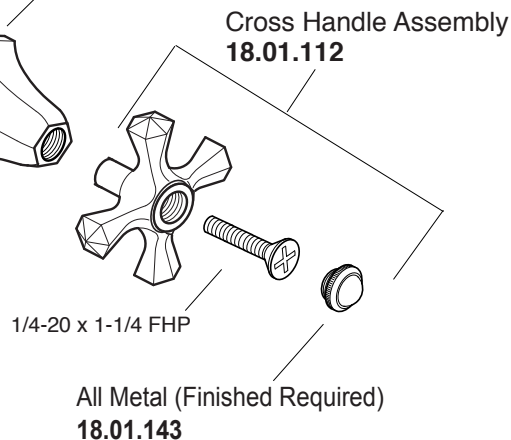
1.0R7551T



E-Mini Thermostatic Valve
18.30.292/18.30.291

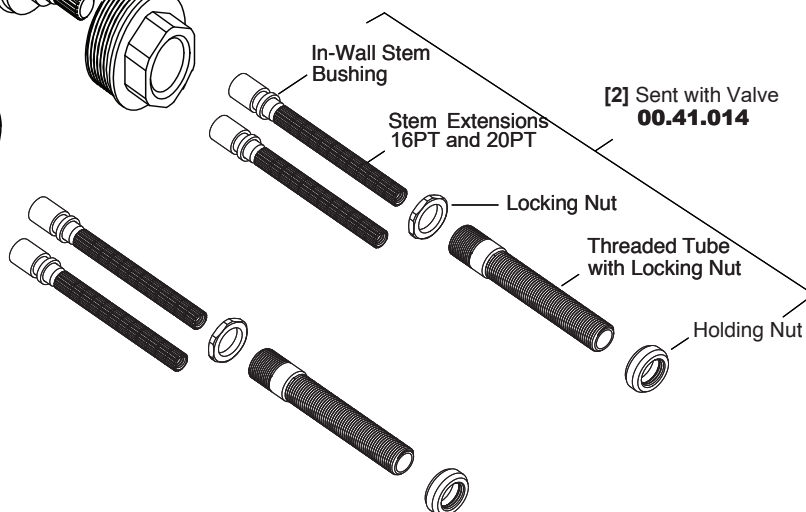


Diverter/Shutoff Cartridge
18.30.903



[2] Sent with Valve
00.41.014

Thermostatic Cartridge
18.30.294



Screw Driver Check Valve

18.30.883A (Hot)
18.30.884A (Cold)