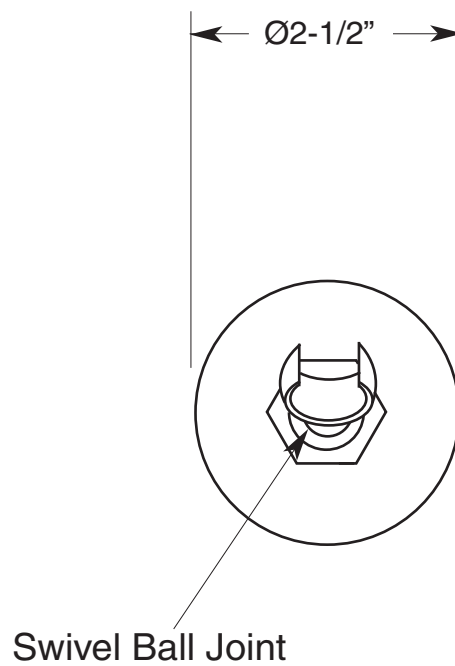
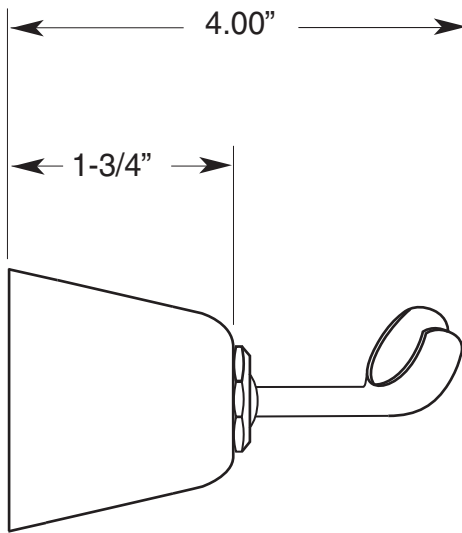


SPECIFICATIONS
Handshower Accessory

Swivel Wall Bracket
18.10.011

FEATURES:

- All brass construction.
- Available in all finishes. Warranty varies according to finish selection.
- Supplied with mounting hardware.



Note: Measurements are subject to change or cancellation. No responsibility is assumed for use of superseded or voided pages.