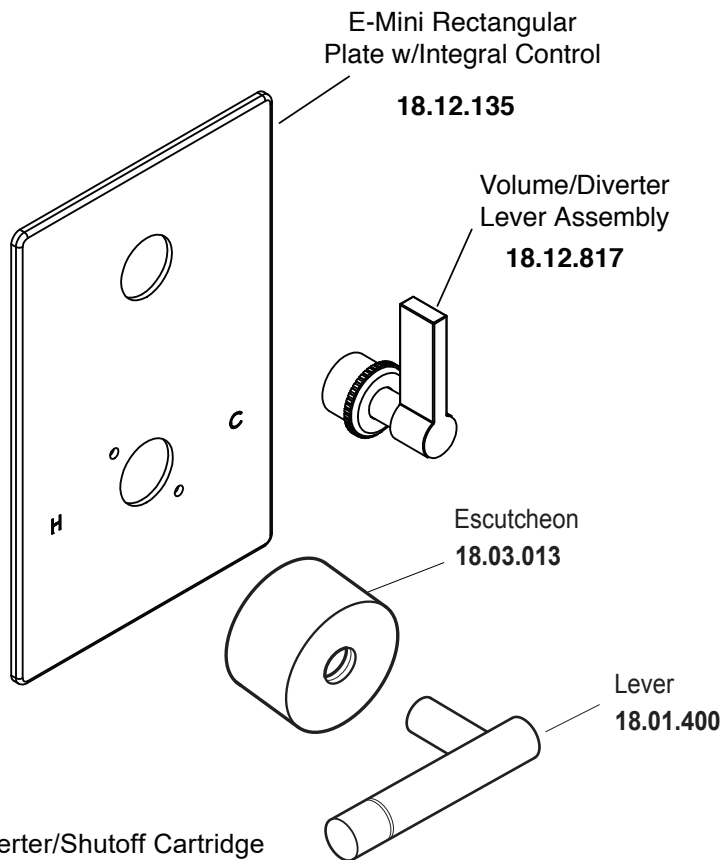


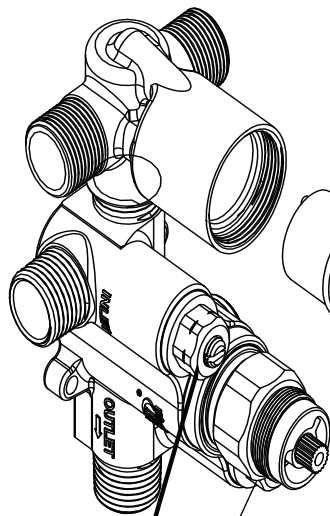
E-Mini Thermostatic Trim W/ Rectangular Plate and Palermo Handle

1.0S4451T

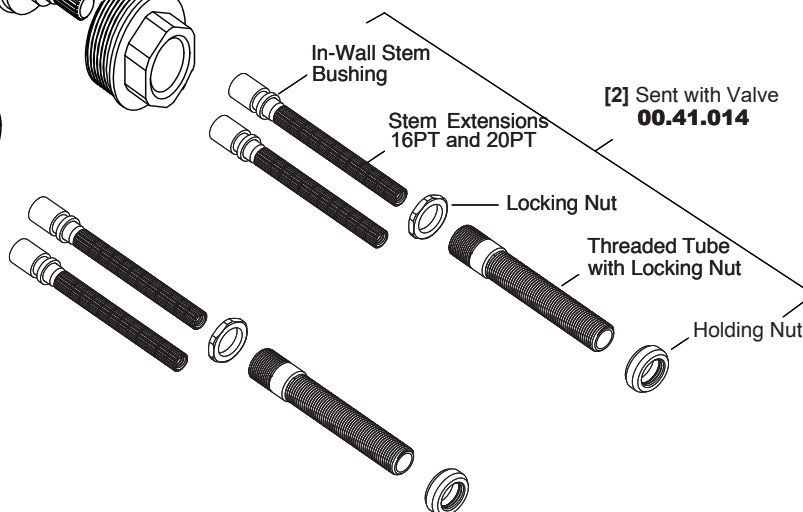


E-Mini Thermostatic Valve
18.30.292/18.30.291

Diverter/Shutoff Cartridge
18.30.903



Thermostatic Cartridge
18.30.294



Screw Driver Check Valve

18.30.883A (Hot)
18.30.884A (Cold)