

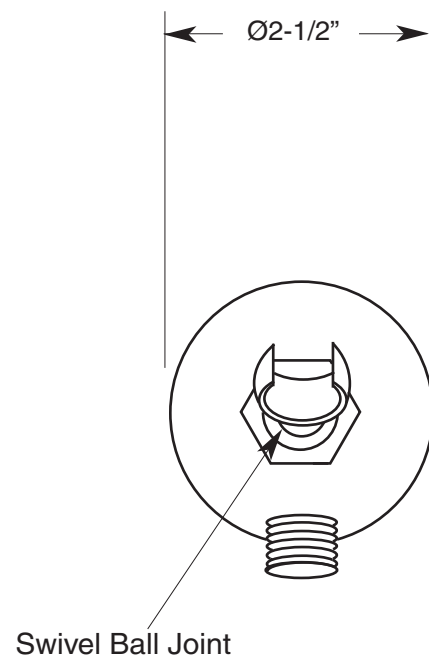
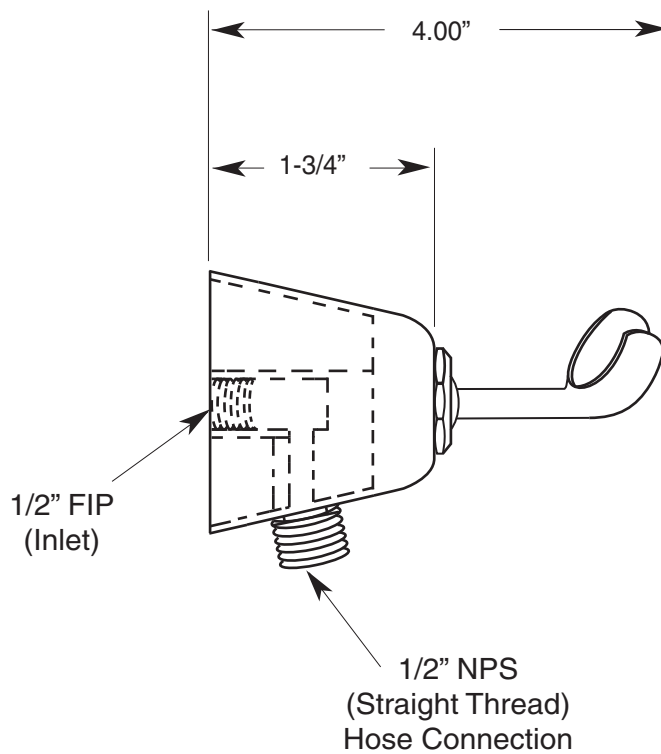
**SPECIFICATIONS**

**Handshower Accessory**

**FEATURES:**

- All brass construction
- Available in all finishes. Warranty varies according to finish

Swivel Wall Bracket  
with Waterway  
18.10.013



Note: Measurements are subject to change or cancellation. No responsibility is assumed for use of superseded or voided pages.