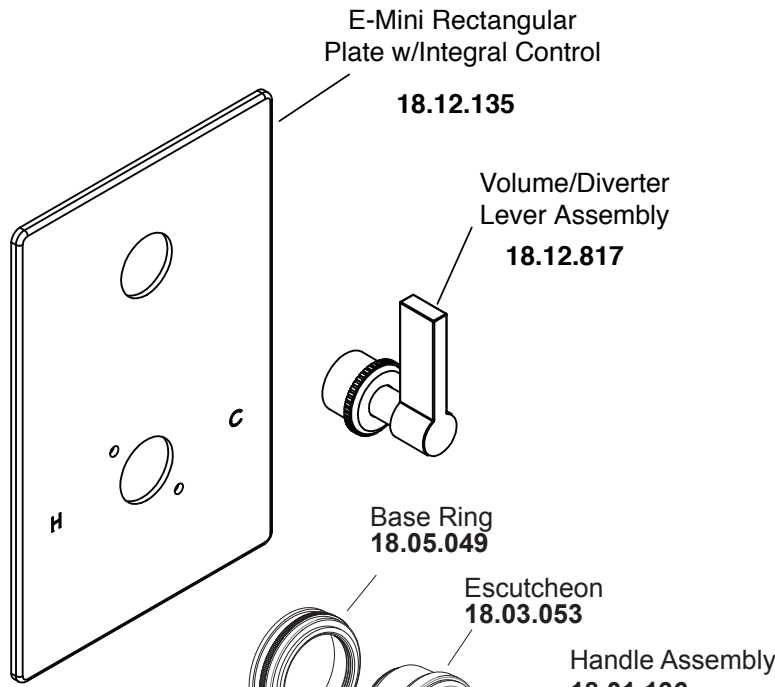
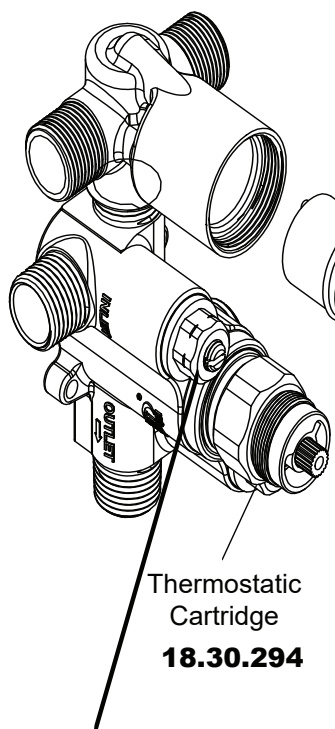


## E-Mini Thermostatic Trim W/ Rectangular Plate and Regent Handle

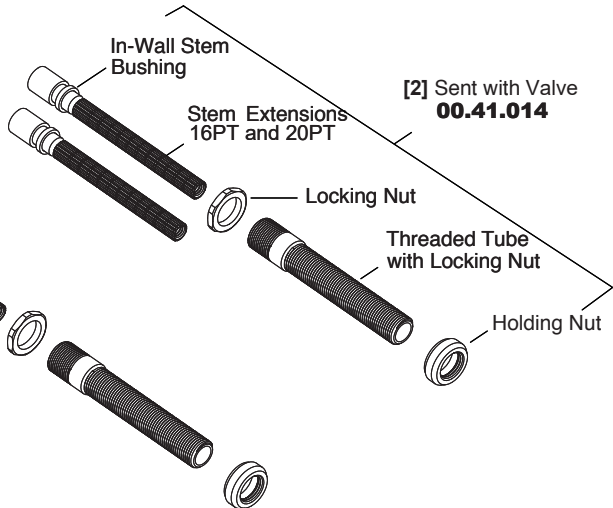
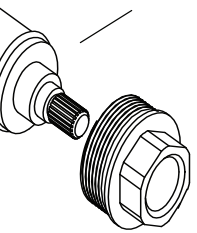
### 1.0S5351T



E-Mini Thermostatic Valve  
**18.30.292/18.30.291**



Diverter/Shutoff Cartridge  
**18.30.903**



Screw Driver Check Valve  
**18.30.883A (Hot)**  
**18.30.884A (Cold)**