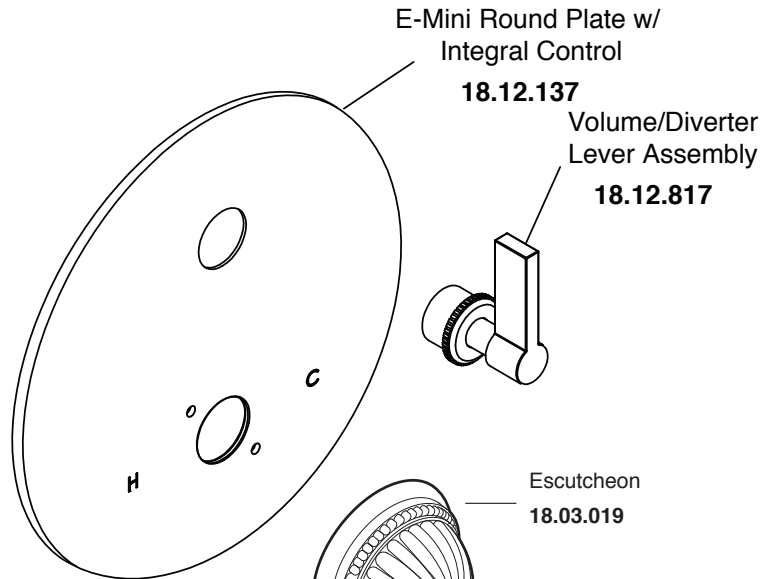


E-Mini Thermostatic Trim W/Round Plate and Georgian Handle

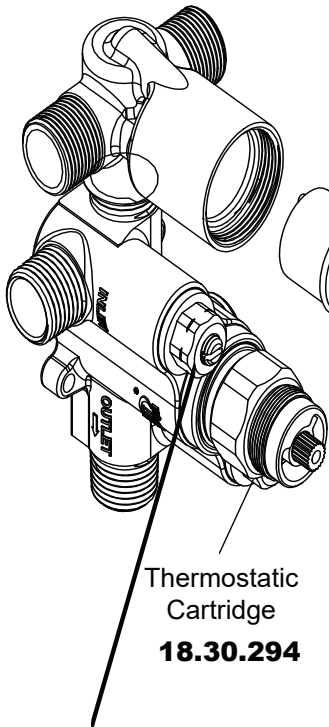
1.0R4151T



Escutcheon
18.03.019

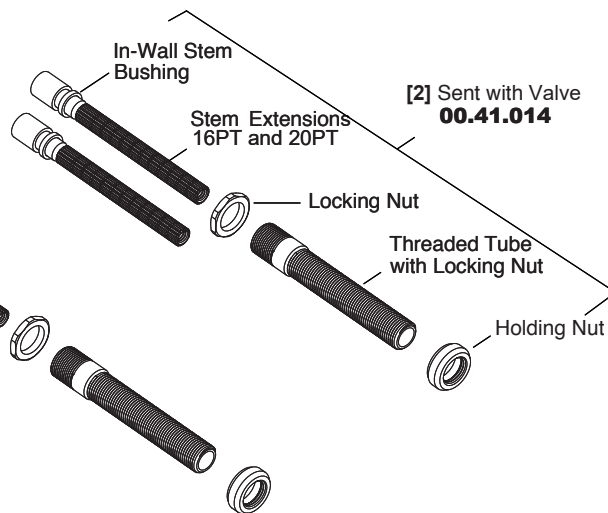
Lever
18.01.008

E-Mini Thermostatic Valve
18.30.292/18.30.291



Diverter/Shutoff Cartridge
18.30.903

Thermostatic Cartridge
18.30.294



[2] Sent with Valve
00.41.014

In-Wall Stem Bushing

Stem Extensions
16PT and 20PT

Locking Nut

Threaded Tube
with Locking Nut

Holding Nut

Screw Driver Check Valve

18.30.883A (Hot)
18.30.884A (Cold)