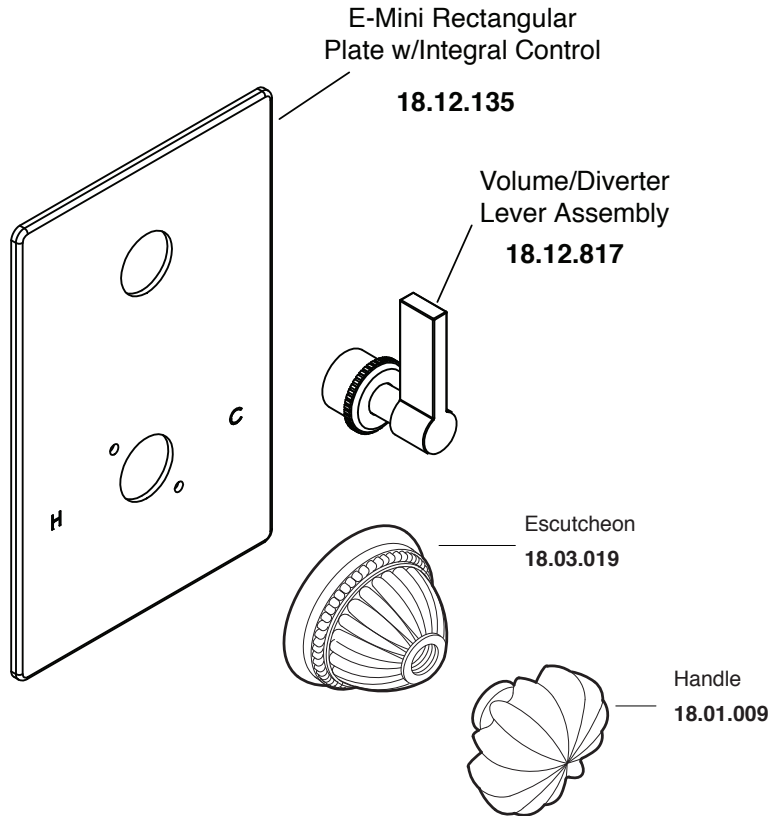


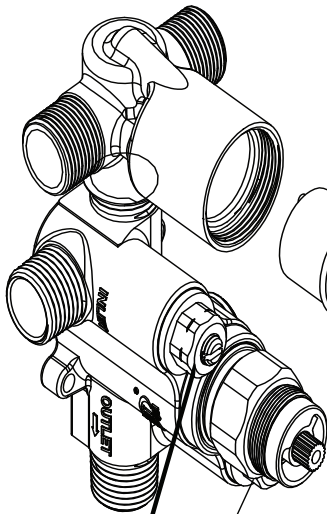
E-Mini Thermostatic Trim W/ Rectangular Plate and Madison Elite Handle

1.0S4051T

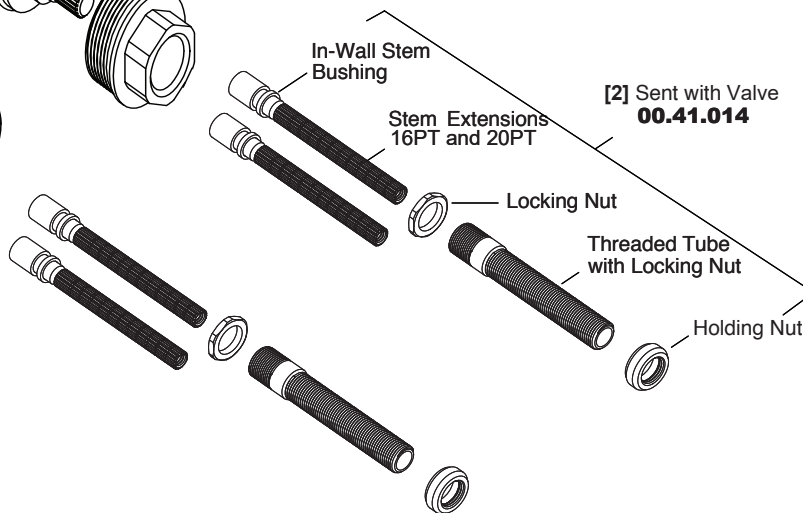


E-Mini Thermostatic Valve
18.30.292/18.30.291

Diverter/Shutoff Cartridge
18.30.903



Thermostatic Cartridge
18.30.294



[2] Sent with Valve
00.41.014

Screw Driver Check Valve

18.30.883A (Hot)
18.30.884A (Cold)