

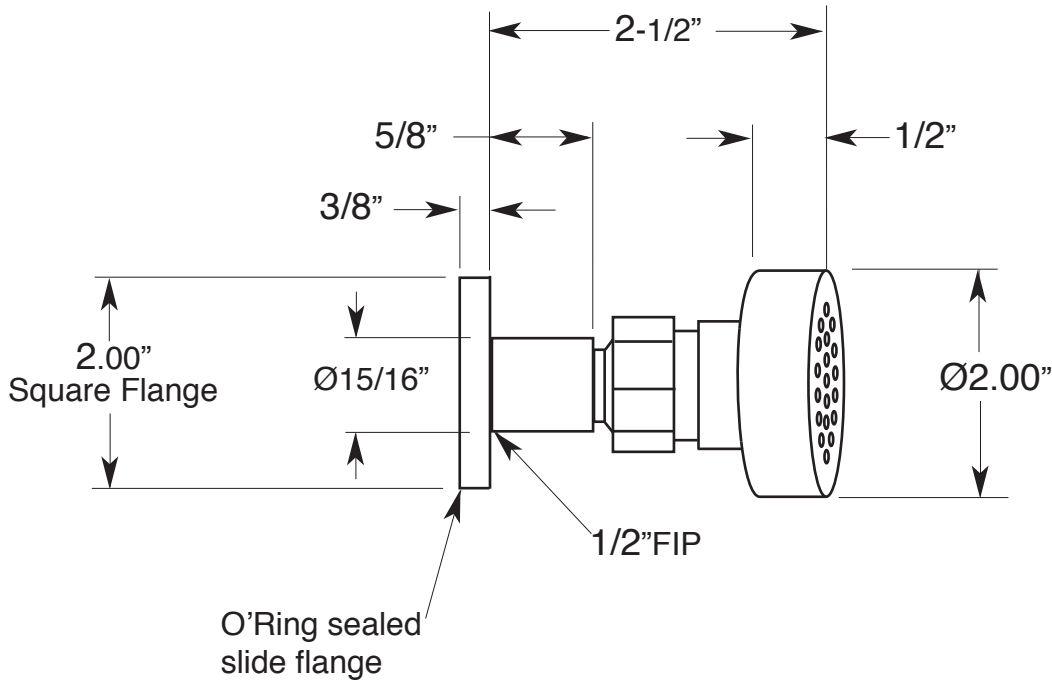
FEATURES:

- All brass construction
- 1/2" female connection
- Swivel ball-and-socket joint
- Flexible spray nozzles allow for easy removal of hard water build-up
- 1.8 gpm flow restrictor installed
- Available in all Sigma finishes

Bodyspray

**Round Body Spray
with Square Flange
(Easy Clean Jets)**

18.10.124



Note: Measurements are subject to change or cancellation. No responsibility is assumed for use of superseded or voided pages.