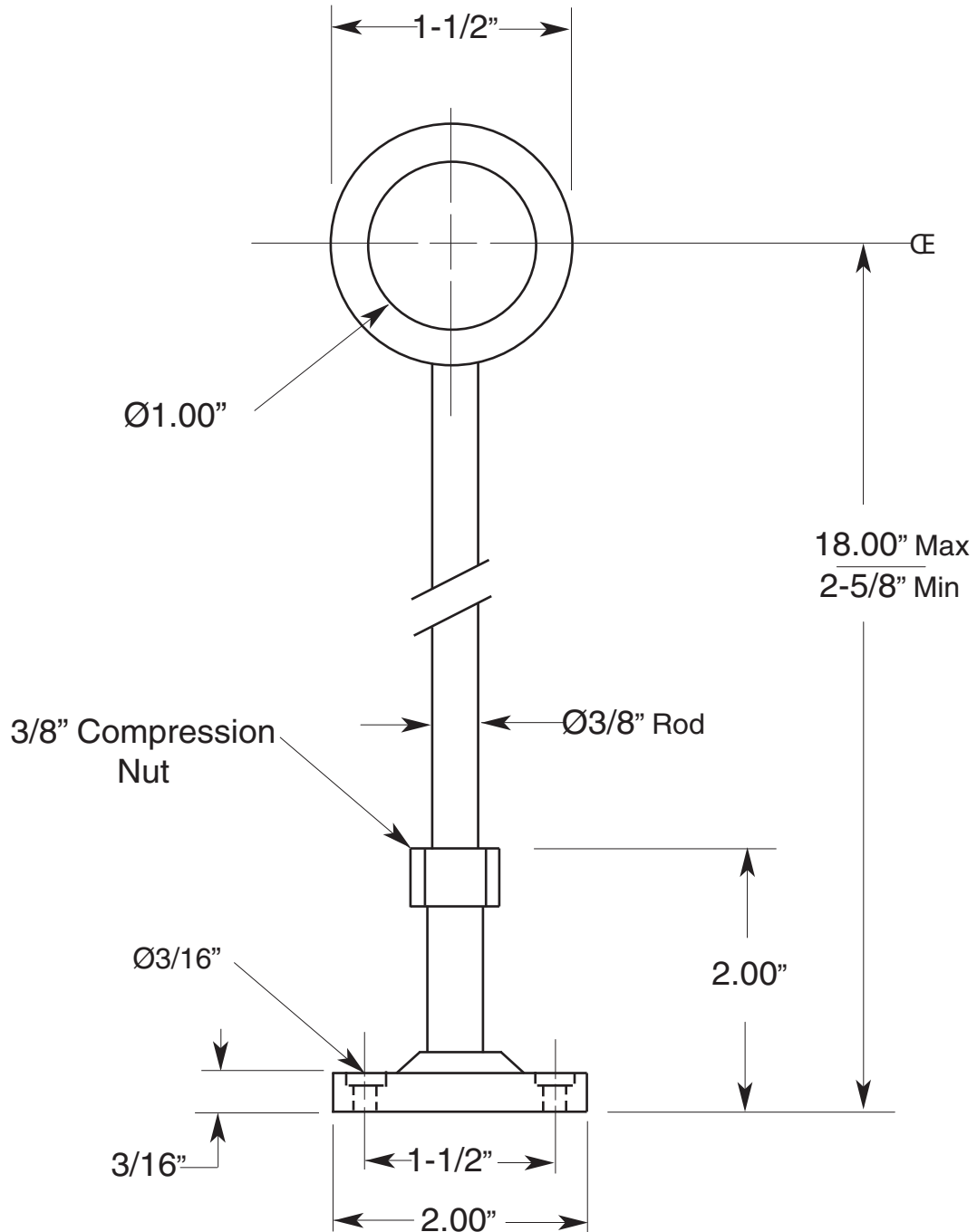


FEATURES:

- All brass construction
- 3/8" brass rod can be cut to any length
- Compression fitting for easy installation
- Mounting hardware is not included
- Can be used to support Butler Mill or Reserve Collection Floor Mount Telephone Set
- Available in all Sigma finishes

Specifications  
**Ceiling or Wall Support**

3/4" Ceiling  
or  
Wall Bracket  
18.10.151



Note: Measurements are subject to change or cancellation. No responsibility is assumed for use of superseded or voided pages.